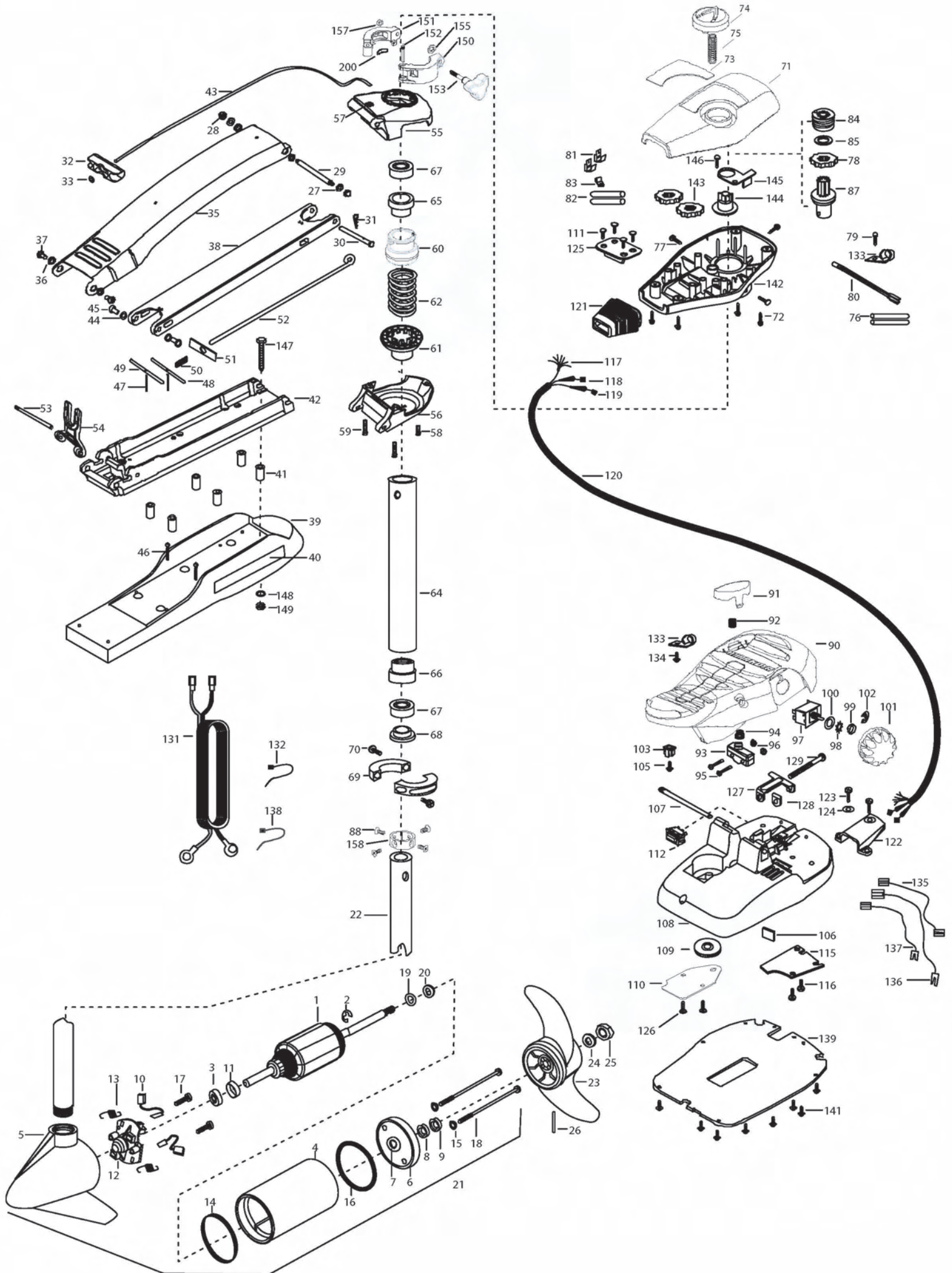


MAX 70/SC  
70 lbs Thrust  
24 Volt 42 Amps  
42" SHAFT

for use with "L" serial numbers  
2-year warranty



In the U.S.A., replacement parts may be ordered directly from MINN KOTA Parts Dept., 121 Power Drive, P.O.Box 8129, Mankato, Minnesota 56002-8129. In Canada, parts may be ordered from any of the Canadian Authorized Service Centers shown on the enclosed list. Be sure to provide the MODEL and SERIAL numbers of your motor when ordering parts. Please use the correct part numbers from the parts list. Payment for any parts ordered from the MINN KOTA parts department, may be by cash, personal check, Discover Card, MasterCard or VISA. To order, call 1-800-227-6433 or FAX 1-800-527-4464.

Hors de États-Unis, voir la liste ci-jointe pour le Centre de Service Agréé MINN KOTA le plus proche. Lors d'une commande, ne pas oublier de fournir le numéro de modèle et le numéro de série du moteur. Toujours mentionner le numéro de pièce exact figurant sur la liste des pièces de rechange.

1	2-100-119	ARMATURE ASSEMBLY 24V 3.625 5SPC 65#	53	2260506	HINGE-PIN HEADLESS ZINC	107	2260511	PIN-PIVOT A/T FT PDL
2	788-015	RETAINING RING	54	2293811	YOKE,MAX MNT-POLYPROPYLENE	108	2774550	FT PED BASE/PIN ASSEMBLY
3	140-010	BALL BEARING	■	2991762	BOWGUARD ASSEMBLY	109	2262301	PULLEY- FOOT PEDAL
4	431-005	CENTER HOUSING ASSEMBLY 3.625 FW TXT	55	2772319	BRACKET BASE TOP/EYELET ASSEMBLY	110	2266401	COVER-PULLEY STAMPING
5	2-300-039	BRUSH END HOUSING ASSEMBLY 3.62 SPCO	56	2991771	BRKT BTTM/BEARING FW ASSEMBLY	111	2223430	SCREW- #8 X3/4 SS PPH TYPE 25 [4.EA]
6	2-400-101	PLAIN END HOUSING ASSEMBLY	57	2772352	EYELET KIT	112	2254031	SWITCH-MOM/OFF/CON
7	144-049	BEARING - FLANGE (SERVICE ONLY)	58	2263423	SCREW 5/16-18 X 1" SHCS ZINC	115	2266412	SWITCH PLATE, FT PEDAL
8	880-003	SEAL	59	2263425	SCREW 5/16-18 X 2 1/2" SHCS [2.EA]	116	2332103	SCREW-6-20 X 3/8 THD SS [2.EA]
9	880-006	SEAL WITH SHIELD	60	2071541	SPRING-SLEEVE UPPER	117	2261208	WIRE HARNESS, A/T FT. PHD
10	188-037	BRUSH ASSEMBLY [2.EA]	61	2071535	SPRING SLEEVE, LOWER	118	2267505	CABLE ASSY-RIGHT (5')
11	725-050	BRUSH RETENTION- PAPER TUBE	62	2262706	SPRING, BOWGUARD, NIK PL	119	2267515	CABLE ASSY-LEFT (5')
12	738-036	BRUSH PLATE W/HOLDER	■	2772012	TUBE W/BEARING RACE ASSEMBLY	120	2265430	CABLE JACKET (5')
13	975-040	SPRING - TORSION [2.EA]	63	2772016	TUBE W/BEARING RACE ASSEMBLY	121	2265110	BOOT-CONTROL BOX
14	337-036	GASKET	64	2272069	TUBE OUTER-21" 4 HOLES	122	2265115	BOOT-FOOT PEDAL BASE
15	701-008	O-RING, THRU-BOLT [2.EA]		2272067	TUBE OUTER -24" 4 HOLES	123	2372100	SCREW-8-18 X 5/8 THD SS [2.EA]
16	701-081	O-RING	65	2266260	BEARING RACE	124	2261714	WASHER-MAXXUM FT PDL [2.EA]
■	2888460	SEAL & ORING KIT	66	2266220	BEARING RACE-STEEL	125	2261901	BRACKET-CONDUIT
17	830-007	SCREW-8-32 [2.EA]	67	2266000	BEARING BALL-STEEL [2.EA]	126	2301310	SCREW-8-18 X 1/2 SS [2.EA]
18	830-008	THRU-BOLT 10-32X9.2" [2.EA]	68	2266115	BEARING CONE	127	2263210	BRACKET-CONDUIT ADJUSTMEN
19	990-067	WASHER- STEEL THRUST	69	2771617	COLLAR HALF-ZINC- 2 PER KIT	128	2263104	NYLOCK KEEPER
20	990-070	WASHER - NYLATRON [2.EA]	70	2263452	SCREW-1/4-20 X 3/4" SHCS [2.EA]	129	2263463	SCREW-1/4-20 X 2" STL PPH
21	2096035	MOTOR ASSEMBLY 24V 3.625 5SPC FW 52"	71	2280201	CONTROL BOX COVER	131	2261225	LEADWIRE 24V 10GA. RING
22	2032003	TUBE (COMP) 4 HOLE-42"	72	2372100	SCREW-8-18 X 5/8" THD SS [4.EA]	132	2256300	TIE WRAP-5.5" BLACK
■	1378131	PROP KIT	73	2275603	DECAL-COVER MAX70/SC	133	2263201	CLAMP WIRE HARNESS MICRO [2.EA]
23	2091160	PROPELLER (W.WEDGE 2)	74	2990140	DIRECTIONAL INDICATOR	134	2332103	SCREW-6-20 X 3/8 THDT SS
24	2151726	WASHER-5/16 STD SS	75	2282730	SPRING-INDICATOR	135	2260301	CONNECTING WIRE (SWITCH)
25	2053101	NUT-PROP,NYLOC (MED) 5/16 SS	76	2375400	SHRINK TUBE-1/4OD X 1-3/4" [2.EA]	136	2260312	WIRE,BLK W/WHT STRP 19 1/2
26	2092600	PIN-DRIVE (95-4HP'S) SS	77	2053414	SCREW-#8-32 X 1/2" TRI-LOBE [3.EA]	137	2260322	WIRE,BLK W/BLUE STRP-12"
27	9008236	WASHER 1/4 FLAT ZINC [4.EA]	78	2267800	GEAR-INDICATOR	138	2256301	TIE WRAP-5.5" WHITE
28	2223100	NUT- TENSION 5/16-18 SS [2 .EA]	79	2372100	SCREW-8-18 X 5/8" SS	139	2266414	BOTTOM PLATE MAX FOOT PED
29	2262605	PIN- BWGRD UPPER THREADED	80	2264019	LIGHT/INDICATOR MAX65/SC	141	9953104	SCREW-8 X 1/2" SS [8.EA]
30	2262607	CLEVIS PIN ZP MAXXUM BWGRD	81	2020713	TERMINAL-ADAPTOR, MAX [2.EA]	142	2282500	CONTROL BOX
31	2260805	SPRING CLIP	82	2335400	SHRINK TUBE-1/2 OD X 2" [2.EA]	143	2267800	GEAR-INDICATOR [2.EA]
32	2150400	PULL-GRIP	83	2052511	CABLE CLAMP, 1/4" VANTAGE	144	2262221	INDICATOR-DRIVE
33	2151700	WASHER-EYE SHAFT(.562 OD)	84	2232360	PULLEY-CABLE DRUM	145	2261905	BRACKET/INDICATOR
■	2991840	MOUNT, BOW ASS, W/O BGRD, FW STD	85	2261730	WASHER-NYLON A/T CON B	146	2301310	SCREW-8-18 X 1/2" SS
35	2264241	ARM-UPPER FW,STD	87	2996247	PINION/RACE ASSEMBLY	■	2994830	BAG ASSEMBLY-MAXXUM
36	2293501	BUSHING, STAINLESS STEEL [4.EA]	88	2223468	SCREW-8-32 X 7/16" ZN PL [4.EA]	*147	2263431	SCREW 1/4-20 X 3.5" PPH [6.EA]
37	2263500	BOLT- SHOULDER (MAXXUM) [2.EA]	90	2994496	FOOT PEDAL/PLUG ASSEMBLY (AT)	*148	2261713	WASHER-1/4 FLAT SS [6.EA]
38	2994307	ARM-LOWER ASSEMBLY,STD,FW,EXT	91	2283700	PUSH-BUTTON FOOT PEDAL	*149	2263103	NUT-1/4-20 NYLOCK-JAM SS [6.EA]
39	2263912	MOTOR REST STD MAXXUM	92	2302732	SPRING-LOWER PEDAL SS	■	2991550	CLAMP COLLAR ASSEMBLY
40	2265514	DECAL-MAXXUM,MOTOR REST [2.EA]	93	2264020	SWITCH MOMENTARY	150	2071550	CLAMP COLLAR "A"
41	2261505	SPACER, MOTOR REST [6.EA]	94	2265140	BOOT-MICROSWITCH	151	2071555	CLAMP COLLAR "B"
42	2773987	BOWPLATE,STD FW-MACH/INSERT	95	2262114	SCREW-MOUNTING/SWITCH [2.EA]	152	2072621	PIN-KNURLED
43	2251601	ROPE (40"), MAXXUM MOUNT	96	2233100	NUT-SWITCH MOUNT [2.EA]	153	2281505	KNOB-CLAMP COLLAR
44	2261708	WASHER-3/8X1/2X.010" SS [2.EA]	97	2264026	SWITCH-5 SPEED (ALL TERRAIN)	155	2071718	WASHER #10 NYLON RETAINING
45	2267318	BEARING NYLINER-[2.EA]	98	2261701	LOCKWASHER-STAR	157	2073102	NUT - HEX 1/4 - 28 SS
46	2263434	SCREW, 8-18 X 1" PPH SS [2.EA]	99	2263105	NUT-HEX	158	2071560	SPLIT COLLAR
47	2152610	SPRING-PIN LOCKBAR [2.EA]	100	2261715	SPACER-SWITCH 5 SP MODELS	200	2075120	URETHANE PAD
48	2233600	LOCK BAR- BOW MOUNT	101	2280110	KNOB-SPEED CONTROL (5 SPD)			
49	2233602	LOCK BAR, REAR - ZINC	102	2263000	E-RING TRU-ARC#5133-43			
50	2152700	SPRING-LOCKBAR CAD.PLTD	103	2260730	CONNECTOR 1/4 MALE TAB OD			
51	2262703	SPRING STOP	105	2332103	SCREW-6-20 X 3/8" THD SS			
52	2153602	EYE SHAFT-2LOCKBAR STD-PL	106	2266413	TENSION SCREW PLATE FT PED			

\* This item is part of an assembly. This item cannot be sold separately due to machining and /or assembly that is required.

