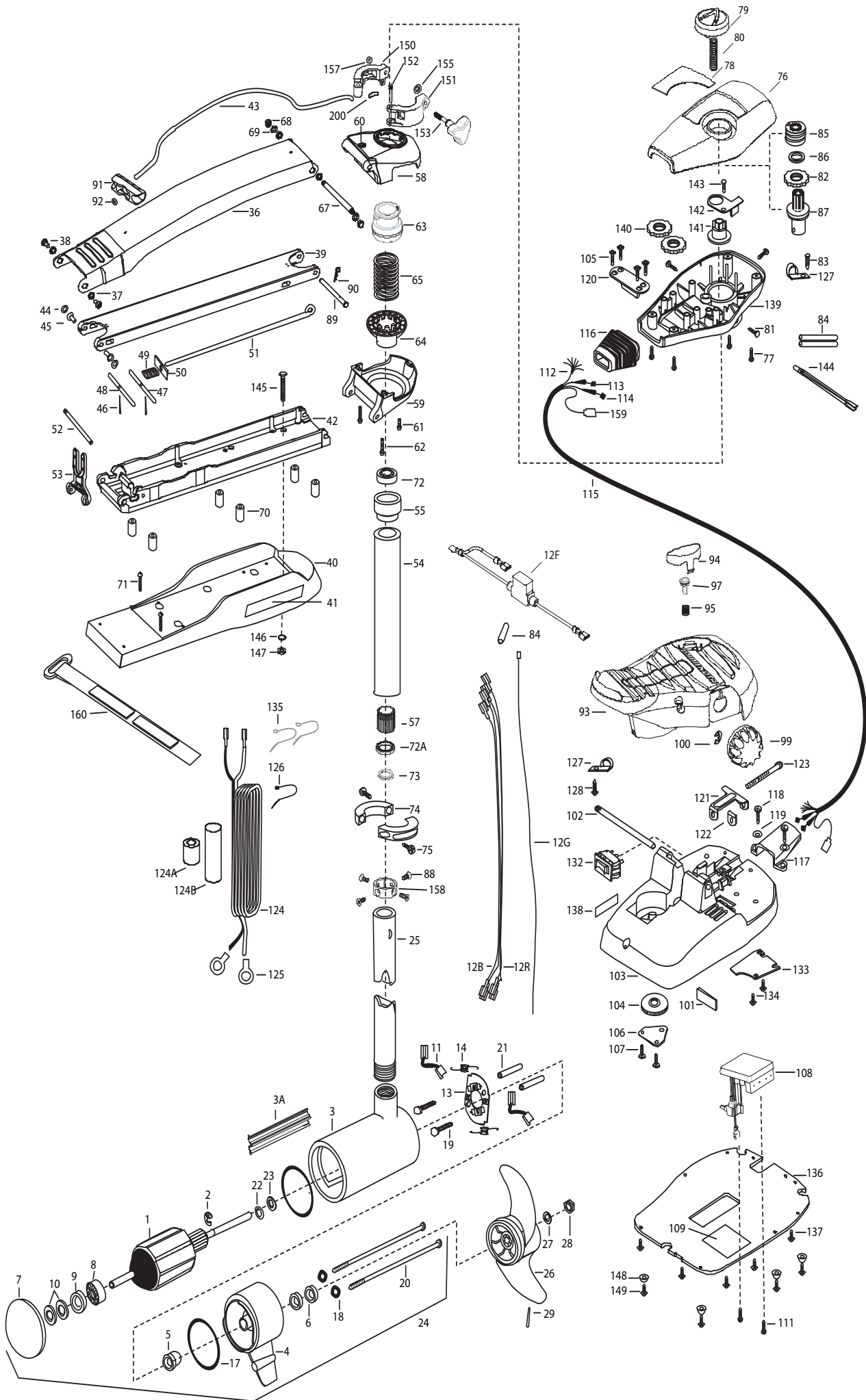


MAXXUM 80
80 lbs Thrust
24 volt 56 amps
48", 52", & 62" SHAFT

for use with "L" serial numbers
2-year warranty



In the U.S.A., replacement parts may be ordered directly from MINN KOTA Parts Dept., 121 Power Drive, P.O.Box 8129, Mankato, Minnesota 56002-8129. In Canada, parts may be ordered from any of the Canadian Authorized Service Centers shown on the enclosed list. Be sure to provide the MODEL and SERIAL numbers of your motor when ordering parts. Please use the correct part numbers from the parts list. Payment for any parts ordered from the MINN KOTA parts department, may be by cash, personal check, Discover Card, MasterCard or VISA. To order, call 1-800-227-6433 or FAX 1-800-527-4464.

Hors de États-Unis, voir la liste ci-jointe pour le Centre de Service Agréé MINN KOTA le plus proche. Lors d'une commande, ne pas oublier de fournir le numéro de modèle et le numéro de série du moteur. Toujours mentionner le numéro de pièce exact figurant sur la liste des pièces de rechange.

1	2-100-214	ARMATURE ASSEMBLY 24V 4"	■	2772087	TUBE W/BEARING RACE ASSEMBLY 34"	112	2261220	WIRE HARNESS AT & MAX 82.5
2	788-040	RETAINING RING		2772086	TUBE W/BEARING RACE ASSEMBLY 24"	113	2267505	CABLE ASSEMBLY-RIGHT 5'
3	431-160	CENTER HOUSING ASSEMBLY 4.0 TXT	54	2272087	TUBE OUTER 34" 62	114	2267515	CABLE ASSEMBLY-LEFT 5'
3A	582-013	CLIP, RETAINING, US2		2272086	TUBE OUTER 24" 48"-52"	115	2265430	CABLE JACKET 5'
4	2-300-160	BRUSH END HOUSING ASSEMBLY	55	2266260	BEARING RACE-(565T)	116	2265110	BOOT-CONTROL BOX
5	144-017	BEARING- FLANGE (SERVICE ONLY)	57	2267307	BUSHING, OUTER TUBE	117	2265115	BOOT-FOOT PEDAL BASE
6	880-025	SEAL [2.EA]	■	2991763	BOWGUARD ASSEMBLY-FT CTRL,MAX 62	118	2372100	SCREW-8-18 X 5/8 THD SS [2.EA]
7	421-276	PLAIN END HOUSING ASSEMBLY		2991762	BOWGUARD ASSEMBLY-FT CTRL,MAX 52	119	2261714	WASHER-MAXXUM PT PDL [2.EA]
	9421-285	PLAIN END HOUSING ASSEMBLY US2 52"	58	2772319	BRACKET BASE TOP/EYELET ASSEMBLY	120	2261901	BRACKET-CONDUIT AT/MAX
	9421-286	PLAIN END HOUSING ASSEMBLY US2 62"	59	2991770	BRKT BOTTOM/BEARING FW ASSEMBLY 62	121	2263210	BRACKET-CONDUIT ADJUSTMENT
8	140-010	BALL BEARING		2991771	BRKT BOTTOM/BEARING FW ASSEMBLY 52	122	2263104	NYLOCK KEEPER
9	990-045	THRUST WASHER	60	2772352	EYELET KIT -ROPE	123	2263466	SCREW-1/4-20 X 2 STL PPH
10	992-010	SPRING WASHER [2.EA]	61	2263423	SCREW 5/16-18 X 1" SHCS ZINC	124	2261233	LEADWIRE VARIABLE
11	186-094	BRUSH [2.EA]	62	2263425	SCREW 5/16-20 X 2-1/2" SHCS [2.EA]	124A	2307310	BEAD - FERRITE [2.EA] (CE MODELS ONLY)
12B	640-024	LEADWIRE-BLACK 10 AWG 79"	63	2071541	SPRING-SLEEVE UPPER	124B	2075401	HEAT SHRINK 1.1" O.D. X 3.5"
12R	640-131	LEADWIRE-RED 10 AWG 80 1/2"	64	2071535	SPRING SLEEVE, LOWER	125	2020700	TERMINAL RING, 3/8 [2.EA]
12G	640-316	GROUND WIRE 52" (US MOTORS ONLY)	65	2262712	SPRING, BOWGUARD, FC PAINTED	126	2256300	TIE WRAP-5.5 BLACK
	640-317	GROUND WIRE 62" (US MOTORS ONLY)	67	2262605	PIN- THREADED	127	2263201	CLAMP WIRE HARNESS MICRO [2.EA]
12F	2218200	FUSE HOLDER (US MOTORS ONLY)	68	2223100	NUT - NYLOC SS [2.EA]	128	2332103	SCREW-6-20 X 3/8 THD SS
13	738-040	BRUSH PLATE 4"	69	9908236	WASHER ZN PL [2.EA]	132	2254031	SWITCH-MOM/OFF/CON
14	975-041	SPRING- TORSION [2.EA]	■	2994832	BAG ASSEMBLY	133	2266412	SWITCH PLATE, PT PEDAL
17	701-043	O-RING [2.EA]	*70	2261505	SPACER, MOTOR REST [6.EA]	134	2332103	SCREW-6-20 X 3/8 THD SS [2.EA]
18	701-009	O-RING - THRU BOLT [2.EA]	*71	2263434	SCREW, 8-18 X 1 PPH SS [2.EA]	135	2256301	TIE WRAP-5.5 WHITE [2.EA]
■	2889460	SEAL & ORING KIT	72	2266000	BEARING BALL-STEEL	136	2264511	BOTTOM PLATE, MAXXUM PT
19	830-027	SCREW -SELF THREAD 10-32X2 [2.EA]	72A	2266116	BEARING, CARTRIDGE	137	2372100	SCREW-8 X 1/2 SS [5.EA]
20	830-094	THRU BOLT 12-24X10.31 [2.EA]	73	2266001	BEARING, SPLIT RING	138	2266610	DECAL-ON/OFF SWITCH
21	973-025	SPACER- BRUSH PLATE [2.EA]	74	2261622	COLLAR HALF-PAINTED-2 PER- KIT	139	2282500	CONTROL BOX
22	990-051	WASHER- STEEL	75	2263453	SCREW-1/4-20 X 3/4 SHCS SS [2.EA]	140	2267800	GEAR-INDICATOR [2.EA]
23	990-052	WASHER- NYLATRON	76	2280201	CONTROL BOX COVER	141	2262221	INDICATOR-DRIVE
24	2316217	MOTOR ASSEMBLY 24V 4" VARS TXT 52"	77	2372100	SCREW-8-18 X 5/8 THD [4.EA]	142	2261905	BRACKET/INDICATOR
	2316219	MOTOR ASSEMBLY 24V 4" VARS TXT 62"	78	2275605	DECAL COVER, MAXXUM 80	143	2301310	SCREW-8-18 X 1/2 SS
	2326241	MOTOR ASSEMBLY 24V 4" VARS 52" SONAR	79	2990140	DIRECTIONAL INDICATOR	144	2264015	LIGHT/INDICATOR
	2326242	MOTOR ASSEMBLY 24V 4" VARS 62" SONAR	80	2282730	SPRING-INDICATOR	■	2994830	BAG ASSEMBLY-MAXXUM
25	2032007	TUBE COMP W/4 HOLE 62"	81	2053414	SCREW-#8-32 X 1/2 TRI-LOBE [3.EA]	*145	2263431	SCREW 1/4-20 X 3.5 PPH [6.EA]
	2032006	TUBE COMP W/4 HOLE 52"	82	2267800	GEAR-INDICATOR	*146	2261713	WASHER-1/4 FLAT S/S [6.EA]
	2032005	TUBE COMP W/4 HOLE 48"	83	2301310	SCREW-8-18 X 5/8 SS	*147	2263103	NUT-1/4-20 NYLOCK-JAM [6.EA]
■	1378132	PROPELLER KIT	84	2355410	SHRINK TUBE-3/8 OD X 2- [3.EA]	148	2265126	BUMPER [4.EA]
26	2331160	PROPELLER W.WEDGE 2	85	2232360	PULLEY-CABLE DRUM	149	2263455	SCREW #12 [4.EA]
27	2091701	WASHER-PROP LARGE	86	2261730	WASHER-NYLON	■	2991550	CLAMP COLLAR ASSEMBLY
28	2093101	NUT-PROP NYLOCK SS	87	2996247	PINION/RACE ASSEMBLY	150	2071550	CLAMP COLLAR "A"
29	2262658	PIN-DRIVE SS	88	2223468	SCREW-8-32 X 7/16 ZN PL [4.EA]	151	2071555	CLAMP COLLAR "B"
■	2991842	MOUNT,BOW ASSEMBLY, FW 62 W/O BGRD	89	2262607	PIN- CLEVIS ZN	152	2072621	PIN-KNURLED
	2991841	MOUNT,BOW ASSEMBLY, FW 52 W/O BGRD	90	2260805	SPRING CLIP ZN	153	2281505	KNOB-CLAMP COLLAR
36	2264246	ARM UPPER-FW LONG	91	2150400	PULL-GRIP	155	2071718	WASHER #10 NYLON RETAINING
37	2293501	BUSHING, STAINLESS STEEL [4.EA]	92	2151700	WASHER-EYE SHAFT .562 OD	157	2073102	NUT - HEX 1/4 - 28 SS
38	2263500	BOLT, SHOULDER MAXXUM [2.EA]	93	2664496	FOOT PEDAL/PLUG ASSEMBLY	158	2071560	SPLIT COLLAR
39	2774317	ARM-LOWER ASSEMBLY,LG,FW,EXT	94	2993705	PUSH BUTTON / MAGNET ASSEMBLY	159	2211410	EXTENSION CABLE US2
40	2263913	MOTOR REST LONG MAXXUM	95	2302732	SPRING-LOWER PEDAL SS	160	2263804	STRAP - VELCRO 30.5"
41	2265514	DECAL-MAXXUM,MOTOR REST [2.EA]	97	2260810	CLIP, REED SWITCH	200	2075120	URETHANE PAD
42	2773986	BOWPLATE- FW LG MACH/INSERT	99	2280115	KNOB-SPEED CONTROL VAR			
43	2251601	ROPE 40" MAXXUM MOUNT	100	2263000	E-RING TRU-ARC#5133-43			
44	2261708	WASHER-3/8X1/2X.010 SS [2.EA]	101	2266413	PLATE -TENSION SCREW FTPED.			
45	2267813	BEARING NYLINER- [2.EA]	102	2260511	PIN-PIVOT A/T PT PDL			
46	2152610	SPRING-PIN LOCKBAR [2.EA]	103	2774550	FT PEDAL BASE/PIN ASSEMBLY			
47	2233600	LOCK BAR- BOW MOUNT	104	2262301	PULLEY- FOOT PEDAL			
48	2233602	LOCK BAR- REAR ZINC	105	2223430	SCREW #8X3/4 PPH TYPE 25 SS [4.EA]			
49	2152700	SPRING-LOCKBAR CAD.PLT	106	2266400	COVER-PULLEY STAMPING			
50	2262703	SPRING STOP	107	2301310	SCREW-8-18 X 1/2 SS [2.EA]			
51	2153604	EYE SHAFT-2LOCKBAR LG-PLTD	108	2264056	CONTROL BOARD ASSY 24-36V MAX			
52	2260506	HINGE-PIN HEADLESS ZINC	109	2365107	INSULATING PAD 2.3 X 3.2			
53	2293811	YOKE,MAX MNT-POLYPROPYLENE	111	2223455	SCREW, 10-32 X 1/2 [2.EA]			

* This item is part of an assembly. This item cannot be sold separately due to machining and /or assembly that is required.

Maxxum 80 is 24-volt only!

OPTIONAL BROWN WIRE *
SEE BOAT WIRING DIAGRAM
FIL MARRON OPTIONNEL *
ÉQUIPÉS DE SONAR. VOYEZ LE SCHÉMA DE CÂBLAGE DU BATEAU.

