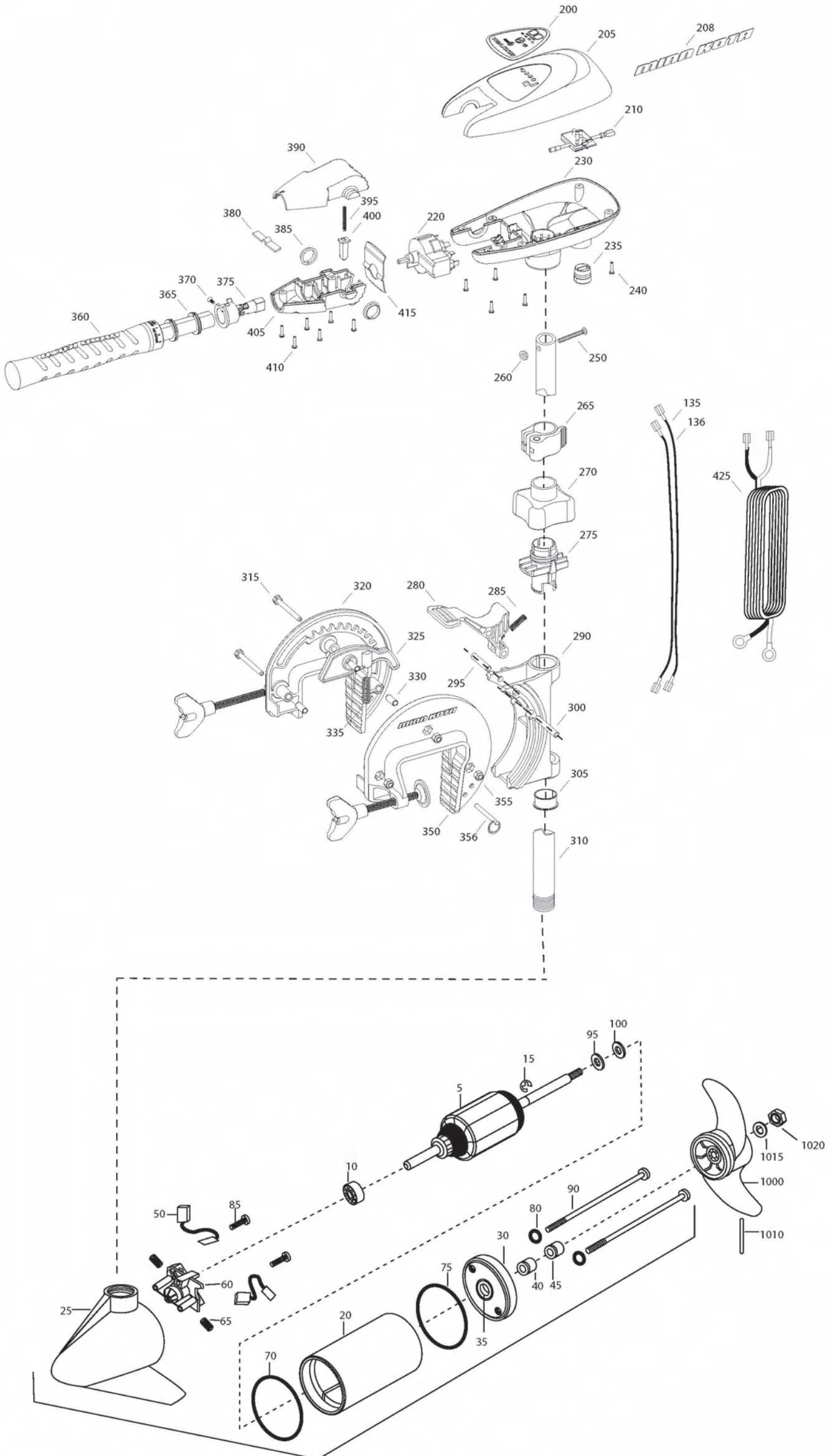


RT45/SC/T
45 LBS THRUST
12 VOLT 42 AMPS
36" SHAFT

for use with "L" serial numbers
2-year warranty



Item	P/N	Description	Qty	Item	P/N	Description	Qty	Item	P/N	Description	Qty
1	2069254	12V Motor 36" SW	1	■	2991797	Bracket assy, Composite [270-356]	1	■	1378121	Propeller kit	
5	2-100-202	Armature assembly	1	270	2060100	Knob, steering tension, soft	1	1000	2061122	Propeller	1
10	140-010	Bearing	1	275	2068400	Collet	1	1010	2092600	Drive pin, small	1
15	788-015	Retaining ring	1	280	2064200	Lock arm	1	1015	2151726	Washer, prop, small	1
20	2-200-379	Center housing assembly	1	285	2062701	Spring, lock arm	1	1020	2198400	Nut, nylock, prop, Anode	1
25	2-300-332	Brush end housing assembly	1	290	2061821	Hinge	1				
30	2-400-187	Plain end housing assembly	1	295	2062603	Pin, lock, ss	1				
35	144-049	Flange bearing	1	300	2062603	Pin, lock, ss	1				
40	880-003	Seal	1	305	2037301	Bushing, hinge	1				
45	880-006	Seal with shield	1	310	2002011	Tube 36"	1				
50	188-052	Brush	2	315	2063501	Bolt 1/4-20 x 2 3/8", ss	3				
55	N/A			320	2771950	Bracket, right, FW	1				
60	738-030	Brush plate assembly	1	325	2067905	Cam deactivator	1				
65	975-032	Brush spring	2	330	2067306	Bushing, dowel 1/4 x 1/2	3				
70	701-041	O-ring, motor, front	1	335	2062700	Spring, cam deactivator	1				
75	701-039	O-ring, motor, rear	1	■	2881380	Clamp screw kit	2 per kit				
80	701-007	O-ring, thru-bolt	2	350	2771955	Bracket, left, FW	1				
85	830-001	Screw, 8-32	2	355	2263103	Nut, 1/4-20, nylock, ss	3				
90	830-078	Thru-bolt	2	356	2062604	Pin, stop	1				
95	990-067	Washer, steel	2								
100	990-070	Washer, nyatron	2	■	2990956	Handle assy, 5SPD [360-410]	1				
135	640-001	Leadwire, black	1	360	2990451	Grip/handle assy, 5SPD [360-375]	1				
136	640-111	Leadwire, red	1	365	2060015	Bearing, handle	2				
■	2883460	Seal and O-ring Kit		370	2063405	Screw, #6 PFH SS	1				
				375	2884091	Yoke / spider assy, 5SPD	1				
200	2095606	Decal, c-box cover	1	380	2302742	Spring, detent, off	1				
205	2060296	C-box cover	1	385	2060005	Bearing, handle pivot	2				
208	2325666	Decal - MinnKota	2	390	2060900	Handle pivot, top	1				
210	2074080	Battery meter, 12v SW	1	395	2302745	Spring, release button	1				
220	2064028	Switch 5 speed	1	400	2063700	Button, release	1				
230	2062506	Control box, 5 SPD, SW	1	405	2060905	Handle pivot, bottom	1				
235	2062905	Strain relief	1	410	2303412	Screw, #6 x 5/8 SS	6				
240	2303412	Screw, #6 x 5/8 SS	6								
250	2383407	Screw, #10-24 x 2 SS	1	415	2062715	Spring, handle pivot	1				
260	2383124	Nut, 10-24, nylock, SS	1	425	2992524	Leadwire assy, includes [235]	1				
265	2991521	Cam lock/depth collar assy	1								

* This item is part of an assembly. This item cannot be sold separately due to machining and /or assembly that is required.

12-24 VOLT 5 SPEED MODELS

THIS IS A UNIVERSAL MULTI-VOLTAGE DIAGRAM. DOUBLE CHECK YOUR MOTORS VOLTAGE FOR PROPER CONNECTIONS

RT45 is 12-volt only!

