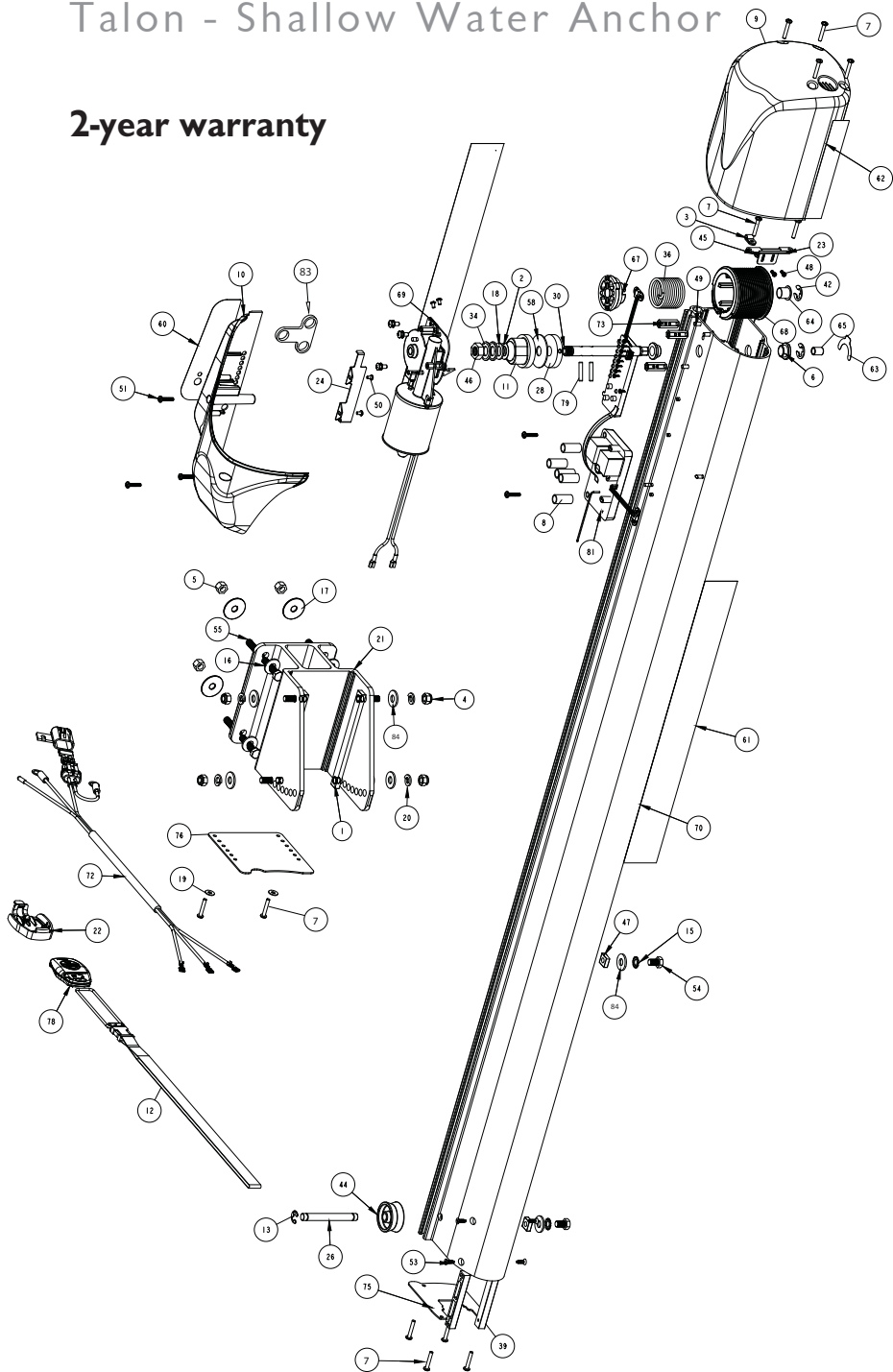
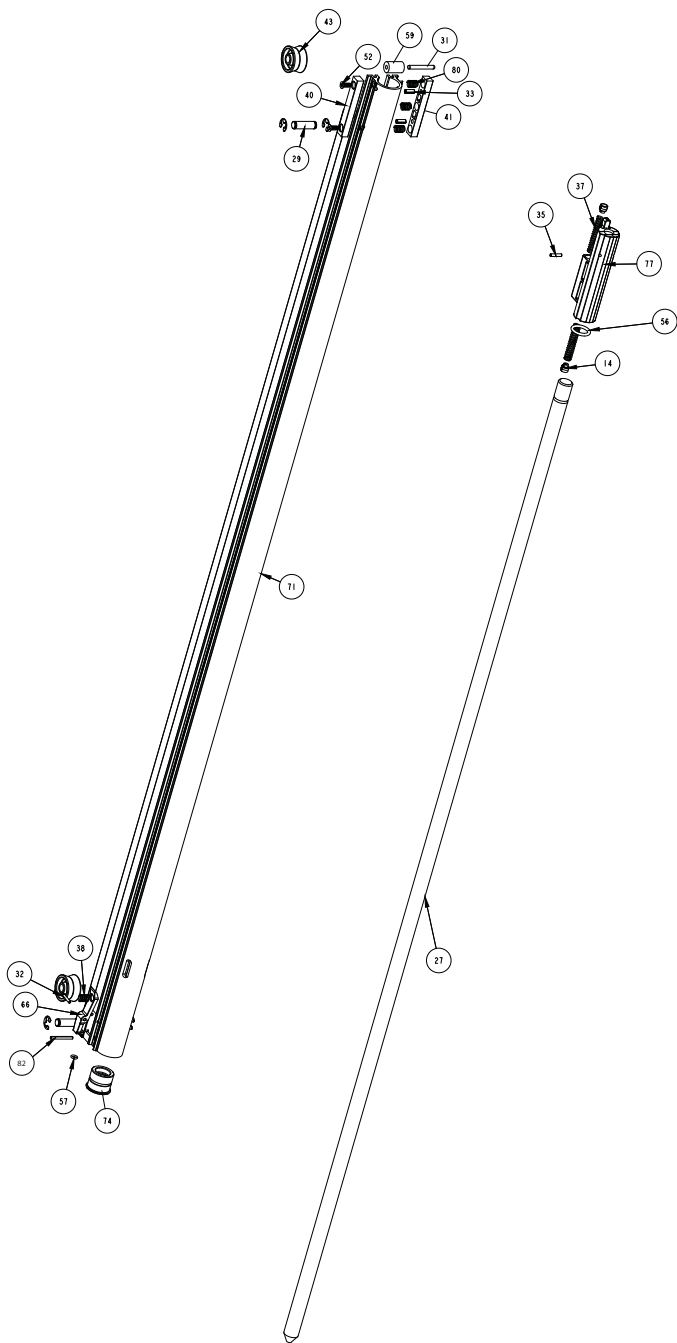


Talon - Shallow Water Anchor

2-year warranty





PARTS LIST VIEW

ITEM #	QTY	PART NUMBER	DESCRIPTION
1	2	2993803	STRAP-BRACKET STUD ASSEMBLY
2	1	990052	NYLATRON WASHER
3	1	2052510	CLAMP CABLE, 3/16"
4	4	2053101	NUT-PROP, NYLOCK (MED) 5/16" SS
5	4	2223100	5/16" - 18 NYLOCK, SS
6	2	2227304	BUSHING - HAT 1/2" SHAFT BRONZE
7	12	2263434	#8 - 18 x 1 SS PPH
8	5	2305404	SHRINK TUBE - .374 ID X 1.0"
9	1	2370270 / 2370271	COVER TALON, TOP, BLK / WHT
10	1	2370275 / 2370276	COVER TALON, BTM, BLK / WHT
11	1	2370813	COUPLER, DRIVE
12	1	2370818	LANYARD, REMOTE
13	6	2370832	C - CLIP, 3/8" LOW CLEARANCE - SS
14	2	2370850	CABLE - KEEPER
15	2	2371747	LOCKWASHER 5/16" EXT.
16	10	2371749	5/16" FLAT WASHER, SS
17	4	2371752	WASHER 5/16" FENDER
18	1	2371753	1/2" FLAT WASHER, SS
19	2	2371754	#8 WASHER, 1/2" OD, SS
20	4	2371756	LOCK WASHER, 5/16" - SS
21	1	2371880	BRACKET, TILT
22	1	2371883	REMOTE DASH HOLDER
23	1	2371887	BRACKET, HALL - SENSOR
24	1	2371918	BACKING PLATE, LED BOARD
26	1	2372001	PIN - PULLEY, LONG
27	1	2372008 / 2372009	SPIKE, .75" x 8' / 6'
28	1	2372230	CLUTCH, BACK
29	2	2372316	SHAFT, IDLER
30	1	2372648	PIN, WRAP DRUM - DRIVE
31	1	2372652	PIN, 1/4" STOP
32	2	2372653	PIN, KNURLED - 1/8"
33	2	2372655	PIN, SPRING 3/16" x 5/8" SS
34	2	2372656	WASHER, BELLEVILLE - CLUTCH
35	1	2372657	PIN, SPRING 1/8" x 5/8" SS
36	1	2372741	SPRING, TORSION - WRAP DRUM
37	2	2372742	SPRING, PISTON
38	1	2372743	SPRING, .36 x .5
39	2	2372820	SLIDE GIB, LOWER
40	1	2372821	SLIDE GIB, UPPER
41	1	2372822	SLIDE GIB, FLOATING
42	2	2373005	E-RING EXTERNAL SS .500
43	2	2373030	PULLEY, IDLER, SMALL
44	1	2373031	PULLEY, IDLER, LARGE
45	2	2373106	NUT - #4 - 40, NYLOCK, SS
46	1	2373107	NUT, CLUTCH
47	2	2373130	SQUARE NUT
48	2	2373439	SCREW #8 - 32 x 5/8" PPMS, SS
49	6	2373481	SCREW #10 - 32 x 1/2" SEMS, PPH, SS
50	4	2373485	#6 - 32 x 1/4" TYPE F, PPH, SS
51	5	2373487	SCREW #8 - 32 x 5/8" PPMS, SS
52	2	2373489	SCREW #8 - 32 x 5/8" PPMS, SS
53	4	2373491	SCREW, #6 x .50 SS HI - LO
54	2	2373493	5/16 - 18 x 1/2 HHCS, SS
55	4	2373525	5/16 - 18 x 3 1/2 HHCS, SS
56	1	2374632	O-RING, 3/4" ID x .125
57	1	2374633	O-RING, .208 ID x .07

ITEM #	QTY	PART NUMBER	DESCRIPTION
58	1	2375116	CLUTCH, PAD
59	1	2375416	INSULATOR, 1/4" STOP PIN
60	1	2375560 / 61 / 62 / 63	DECAL, TALON CTRL PNL 6' WHT / 6' BLK / 8' WHT / 8' BLK
61	2	2375564	MINN KOTA DECAL LARGE
62	1	2375565 / 2375566	TALON DECAL WHITE / TALON DECAL BLACK
63	1	2375567	DECAL, CRANK UP ARROW
64	1	2376012	BEARING, WRAP DRUM
65	1	2376727	CAP PLUG
66	1	2377205	LATCH SECOND STAGE
67	1	2377905	HUB, WRAP DRUM
68	1	2377915	WRAP DRUM
69	1	2377811	LIFT MOTOR FINAL ASSEMBLY
70	1	2378011 / 2378012	MAIN EXTRUSION, 6' / 8'
71	1	2378016 / 2378017	EXTRUSION 2ND STAGE TALON, 6' / 8'
72	1	2378510	POWER CORD, 14AWG, 3 CONDUCTOR
73	3	2378800	SPACER, MOTOR MOUNT
74	1	2378805	ISOLATOR, SPIKE
75	1	2378807	WATER GUARD, BOTTOM
76	1	2378808	WATER GUARD, DEFLECTOR
77	1	2991509	PISTON W/ MAGNETS ASM
78	1	2994044	REMOTE ASSEMBLY
79	2	3392640	PIN, DRIVE SHAFT
80	3	2372740	SPRING, GIB TENSION
81	1	2994046	TALON CONTROL BOARD ASSEMBLY
82	1	2372654	1/8" x 1-1/4" SS SPRING PIN
83	1	2371535	BUTTON SPACER
84	6	2371746	WASHER .750 x .3125 SS

INCLUDES ITEM #(S)	PART NUMBER	DESCRIPTION
70, 73, 49, 61, 6, 39, 53	2778011	EXTRUSION 1 ST STAGE SERV ASM 6'
70, 73, 49, 61, 6, 39, 53	2778012	EXTRUSION 1 ST STAGE SERV ASM 8'
41, 5	2772822	FLOATING SLIDE GIB w/ PINS ASM
80	2882740	FLOATING GIB SPRING, INSTRC KT
40, 52	2882821	UPPER SLIDE GIB RPLCMNT KIT
71, 66, 57, 38, 32	2778016	EXTRUSION 2 ND STAGE/LATCH ASM 6'
71, 66, 57, 38, 32	2778017	EXTRUSION 2 ND STAGE/LATCH ASM 8'
66, 57, 38, 32	2887205	LATCH ASM w/ PIN & SPRING HDW
27, 82, 35, 56	2882008	SPIKE 8' REPLACEMENT KIT
27, 82, 35, 56	2882009	SPIKE 6' REPLACEMENT KIT
75, 7	2888807	WATER GUARD REPLACEMENT KIT
68, 36, 64, 67	2777910	WRAP DRUM REPLACEMENT KIT
23, 48, 45	2881887	BRACKET, HALL SENSOR RPLCMT KIT
69, 8	2887811	MOTOR ASM, HEAT SHRINK KIT
30, 79, 28, 58, 11, 2, 18, 34, 46, 6, 42, 79 (part # 2371755, 2378448 – not shown)	2772231	CLUTCH ASM, HARDWARE KIT
81, 8	2884045	SWA PCB ASM, HEAT SHRINK KIT
72, 8	2888510	POWER CHORD, HEAT SHRINK KIT
9, 62	2770271	COVER-TOP, TALON WHT w/ DECAL
9, 62	2770270	COVER-TOP, TALON BLK w/ DECAL
10, 60	2770275	COVER-BTTM, TALON BLK w/ DECAL 6'
10, 60	2770276	COVER-BTTM, TALON WHT w/ DECAL 6'
10, 60	2770277	COVER-BTTM, TALON BLK w/ DECAL 8'
10, 60	2770278	COVER-BTTM, TALON WHT w/ DECAL 8'
37, 14 (part # 2370840, 2370841 – not shown)	2770840	CABLE REPLACEMENT KIT 8'
37, 14 (part # 2370842, 2370841 – not shown)	2770842	CABLE REPLACEMENT KIT 6'

