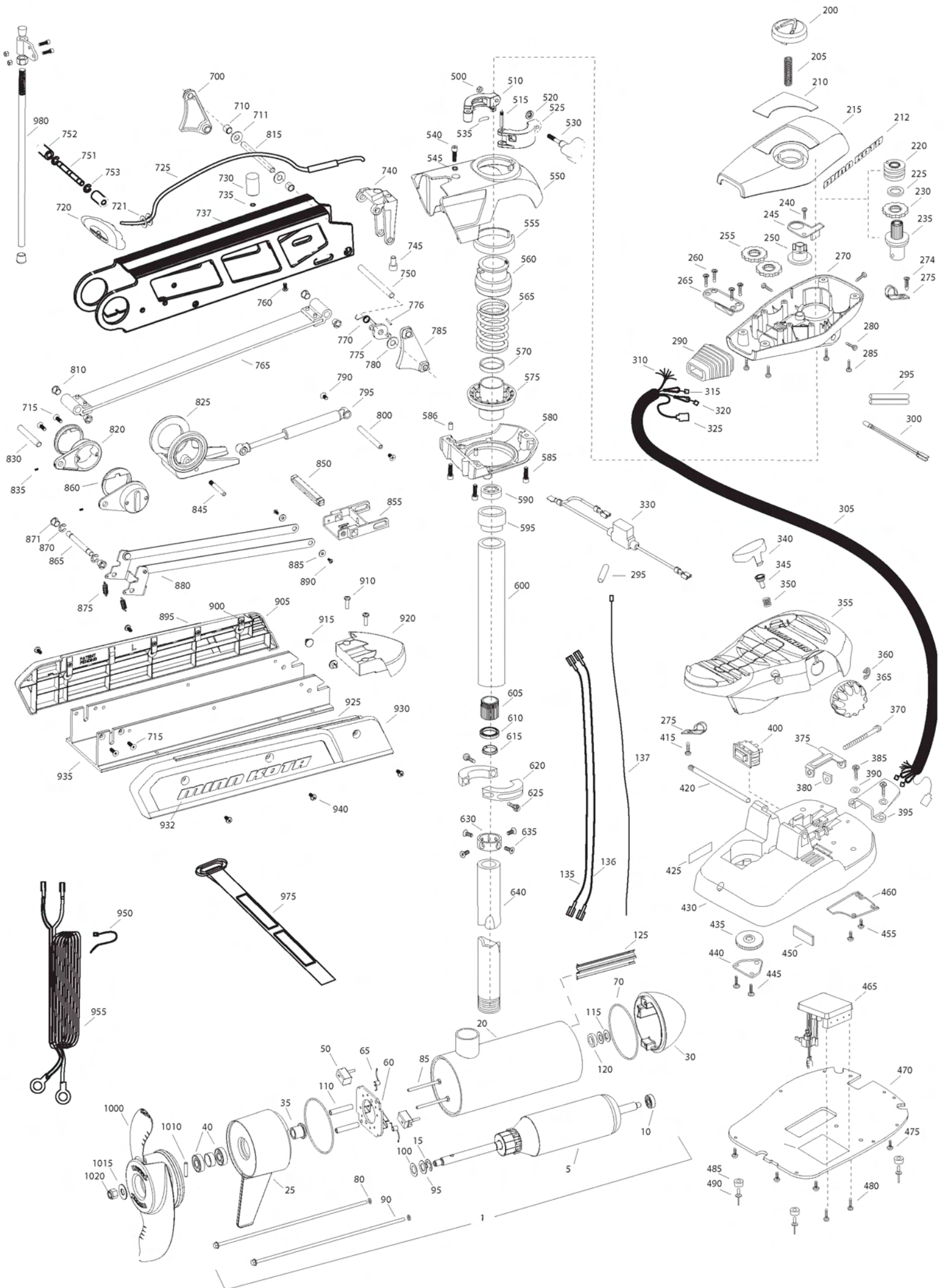


**FORTREX 101**  
**101 LBS THRUST**  
**36 VOLT 46 AMPS**  
**52" & 62" SHAFT**

for use with "M" serial numbers  
2-year warranty



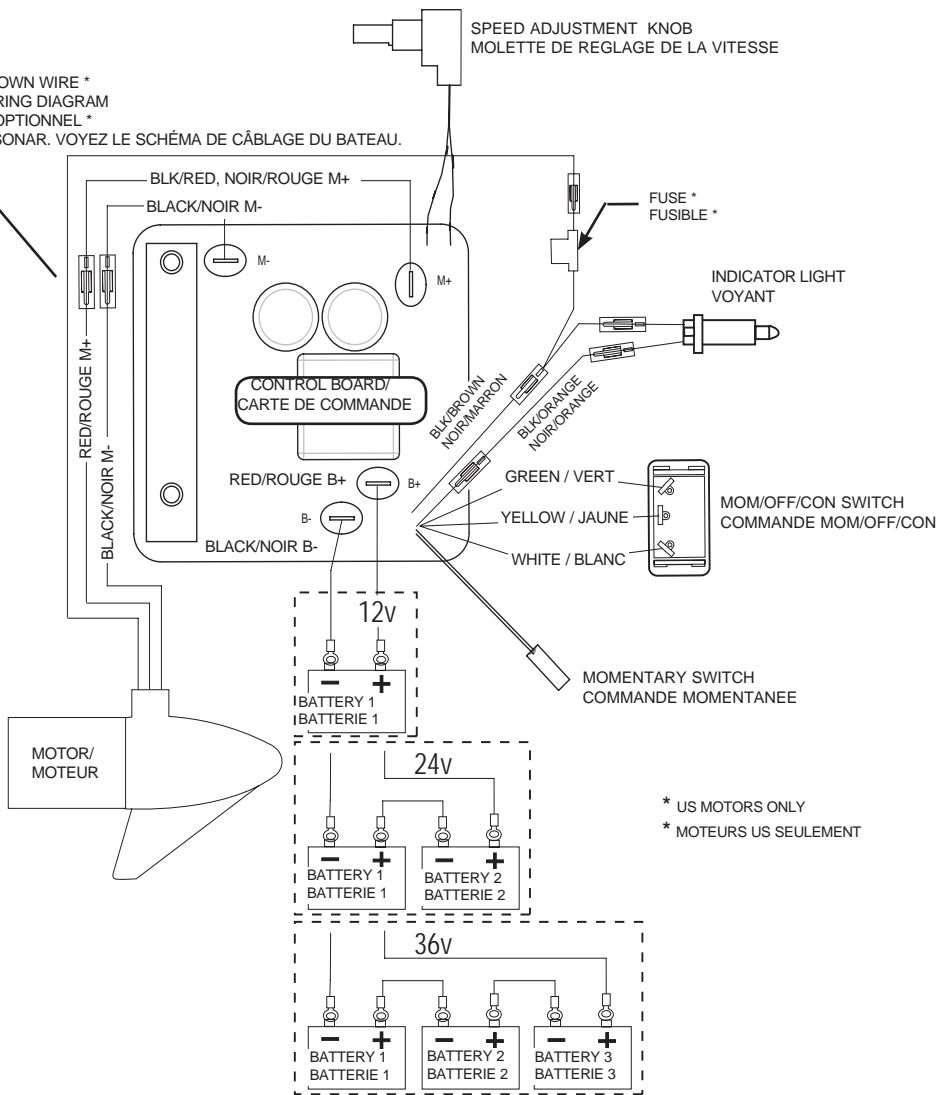
Item	P/N	Description	Qty	Item	P/N	Description	Qty	Item	P/N	Description	Qty	Item	P/N	Description	Qty
1	2316285	36V Motor 52" FW	1	300	2264015	Light, indicator	1	585	2263423	Screw 5/16-18 x 1 SHCS	3	870	2263011	E-ring, 3/8 shaft	2
	2316289	36V Motor 62" FW	1	305	2265430	Cable jacket, 5'	1	586	2262632	Pin, spring 1/4 x 5/8	2	871	2280008	Bearing, Iglide	2
	2326296	36V Motor US2 52"	1	310	2261220	Wire harness, max	1	590	2266000	Bearing, ball, steel	1	875	2282720	Spring, extension	2
	2326297	36V Motor US2 62"	1	315	2267505	Cable assembly, right, 5'	1	595	2266260	Bearing race	1	880	2773601	Latch strap assembly, Long	1
5	2-100-216	Armature assembly	1	320	2267515	Cably assembly, left, 5'	1	600	2992086	Tube w/ bearing race 24", 52"	1	885	2261732	Washer 8, nylon	2
10	140-010	Bearing	1	325	2211410	Cable extension, US2 175"	1		2992088	Tube w/ bearing race 28 1/2", 62"	1	890	2373450	Screw 8-18 x 3/8	2
15	788-040	Retaining ring	1	330	2218200	Fuse holder assembly US2 only	1	605	2267307	Bushing outer tube	1	■	2993915	Sideplate assembly, long, left, fw	1
20	2-200-110	Center housing assembly	1	340	2993705	Push button w/ magnet	1	610	2266116	Bearing, Cartridge	1	895	2288625	Support, left sideplate	1
25	2-300-160	Brush end housing assembly	1	345	2260810	Clip, reed sensor	1	615	2266001	Bearing, split ring	1	900	2283408	Screw 8 x 3/8	8
30	421-276	Plain end housing assembly STD	1	350	2302732	Spring, pedal button	1	620	2261622	Collar half	2	905	2283915	Sideplate, long, left, fw	1
	9421-289	Plain end housing US2 52"	1	355	2994496	Foot pedal w/ plug	1	625	2263453	Screw, 1/4-20 x 1 SHCS	2	910	2073408	Screw 1/4-20 x 7/8	2
	9421-290	Plain end housing US2 62"	1	360	2263000	E-ring, knob	1	630	2071560	Collar, Tube	1	915	2286700	Plug, spacer	2
35	144-017	Flange bearing	1	365	2280115	Knob, speed control VARS	1	635	2223468	Screw 8-32 x 7/16 flt hd	4	920	2283900	Ramp, motor	1
40	880-025	Seal	2	370	2263466	Screw 1/4-20 x 2	1	640	2032006	Tube 52"	1	■	2993925	Sideplate assembly, long, right, fw	1
50	188-094	Brush	2	375	2263210	Bracket, conduit adjustment	1		2032007	Tube 62"	1	925	2288620	Support, right sideplate	1
60	9-738-004	Brush plate assembly	1	380	2263140	Nylock keeper	1	■	2991748	Mount, Fortrex, Long 101#	1	930	2283925	Sideplate, long, right, fw	1
65	975-041	Brush spring	2	385	2372100	Screw 8-18 x 5/8	2	700	2280800	Link, bowguard mount, left	1	932	2285502	Decal, Sideplate, fw	2
70	701-043	O-ring, motor	2	390	2261714	Washer, max foot pedal	2	710	2287303	Bushing, upper pins	2	935	2281912	Base extrusion, long	1
80	701-009	O-ring, thru-bolt	2	395	2265115	Boot, foot pedal	1	711	2287304	Bushing, delrin	2	940	2323405	Screw 1/4-20 x 1/2	6
85	830-027	Screw, 10-32 x 2	2	400	2254031	Switch, mom/off/con	1	715	2283400	Screw, 1/4-20 x 3/4 FHSC	4	950	2256300	Tiewrap	1
90	830-096	Thru-bolt	2	415	2332103	Screw 6-20 x 3/8	1	720	2880400	Pull grip assembly	1	955	2261238	Leadwire	1
95	990-051	Washer, steel	2	420	2260511	Pin, pivot, foot pedal	1	721	2261732	Washer	2				
100	990-052	Washer, nylon	2	425	2266610	Decal, on/off switch	1	725	2771601	Rope assembly	1	975	2773806	Strap hold down	1
110	973-025	Spacer, brush plate	2	430	2992104	Foot pedal base	1	730	2281516	Spacer, inner arm	1				
115	992-010	Washer, Belleville	2	435	2262301	Pully, foot pedal	1	735	2281702	Washer, lock 1/4	1	980	2991928	Bracket stabilizer assembly	1
120	990-045	Spacer, thrust	1	440	2266401	Cover, pulley	1	737	2284212	Outer arm, Long	1				
125	582-014	Clip, retaining, long, US2 only	1	445	2301310	Screw 8-18 x 1/2	2	740	2992302	Rope guide assembly	1	■	1378132	Propeller kit WW2	
135	640-020	Leadwire, black	1	450	2266413	Tension Screw	1	745	2281530	Insert, threaded	1	■	2994876	Propeller bag assy	
136	640-125	Leadwire, red	1	455	2332103	Screw 6-20 x 3/8	2	750	2282608	Pin, 7/16 x 5 5/32	1	1000	2331160	Propeller WW2	1
137	640-317	Groundwire, brown, US2 only	1	460	2266412	Switch plate, foot pedal	1	751	2282602	Pin, 3/8 x 3 3/4	1	1010	2262658	Drive pin, large	1
				465	2264056	Control board max 24/36	1	752	2261505	Spacer	2	1015	2091701	Washer, prop, large	1
200	2990140	Indicator assembly	1	470	2264511	Bottom plate, max	1	753	2263011	E-ring, 3/8 shaft	2	1020	2093101	Nut, nylock, prop, large	1
205	2282730	Spring, indicator	1	475	2372100	Screw 8-18 x 5/8	5	760	2223418	Screw, 1/4-20 x 1/2 BHCS	1				
210	2285607	Decal, Cover 101#, fw	1	480	2223455	Screw 10-32 x 1/2 zp	2	765	2993821	Inner arm assembly, long	1	■	2994887	Mounting hardware bag assy	
	2285608	Decal, Cover 101# US2, fw	1	485	2265126	Bumper pad, foot pedal	4	770	2042711	Spring, torsion	1				
212	2285616	Decal, Control box, fw	2	490	2378600	Pop rivet, 3/16 x 3/4 alum	4	775	2283620	Latch, safety	1	■	2889460	Seal & Oring Kit	
215	2280200	Cover, control box	1	■	2991550	Clamp collar assembly	1	776	2282611	Pin, safety latch	1				
220	2232360	Pulley, cable drum	1	500	2073102	Nut, 1/4-28 ss	1	780	2281704	Washer 7/16 nylon	1				
225	2261730	Washer, nylon	1	510	2071550	Collar clamp, "A" side	1	785	2280805	Link, bowguard mount, right	1				
230	2267800	Gear, indicator	1	515	2072621	Pin, knurled	1	790	2283410	Screw 1/4-20 x 1/2 PFH	2				
235	2996247	Top bearing, pinion drive	1	520	2071718	Washer #10 nylon retaining	1	795	2288402	Gas spring (cylinder), 101#, lg mt	1				
240	2301310	Screw 8-18 x 1/2	1	525	2071555	Collar clamp, "B" side	1								
245	2261905	Bracket, indicator	1	530	2281505	Knob - Soft grip, FW	1	800	2282610	Pin, upper, shock	1				
250	2262221	Indicator, drive	1	535	2075120	Pad, urethane, depth collar	1	810	2280005	Bearing, nyloner 7/16"	4				
255	2267800	Gear, indicator	2	540	2263422	Screw 5/16-18 x 1	1	815	2282600	Pin, 7/16 x 4 7/8	1				
260	2223430	Screw 8 x 3/4	4	545	2281700	Washer 5/16 Lock	1	820	2281932	Bracket, rear pivot	2				
265	2261901	Bracket, conduit	1	■	2991769	Bow guard assembly	1	825	2281501	Yoke, shock mount	1				
270	2282500	Control box	1	550	2281942	Bracket, top	1	830	2282606	Pin, 7/16 x 4 1/2	1				
274	2372100	8-18 x 5/8	1	555	2280001	Bearing, top bracket	1	835	2283402	Screw, set, 6-32 x 1/4	2				
275	2263201	Clamp, wire harness	2	560	2071541	Spring sleeve, upper	1	845	2282604	Pin, Knurled 5/16 x 2	1				
280	2053414	8-32 x 1/2 tri-lobe	3	565	2282700	Spring, bowguard	1	850	2283615	Latch bar	1				
285	2372100	Screw 8-18 x 2/8	4	570	2281525	Spacer, Spring 52/62" only	1	855	2283610	Bracket - latch/strap, rope pull	1				
290	2265110	Boot, control box	1	575	2281520	Spring sleeve, lower	1	860	2287300	Bushing, rear pivot	2				
295	2355410	Shrik tube 3/8	3	580	2991725	Bracket, bottom	1	865	2282602	Pin, 3/8 x 3 3/4	1				

\* This item is part of an assembly. This item cannot be sold separately due to machining and /or assembly that is required.

**THIS IS A UNIVERSAL MULTI-VOLTAGE DIAGRAM. DOUBLE CHECK YOUR MOTORS VOLTAGE FOR PROPER CONNECTIONS  
 CECI EST UN SCHÉMA À TENSION MULTIPLE UNIVERSEL. RÉVÉRIFIEZ LA TENSION DE VOTRE MOTEUR POUR BIEN LE BRANCHER.**

Fortrex 101 is 36-volt only!

OPTIONAL BROWN WIRE \*  
 SEE BOAT WIRING DIAGRAM  
 FIL MARRON OPTIONNEL \*  
 ÉQUIPÉS DE SONAR. VOYEZ LE SCHÉMA DE CÂBLAGE DU BATEAU.



\* US MOTORS ONLY  
 \* MOTEURS US SEULEMENT