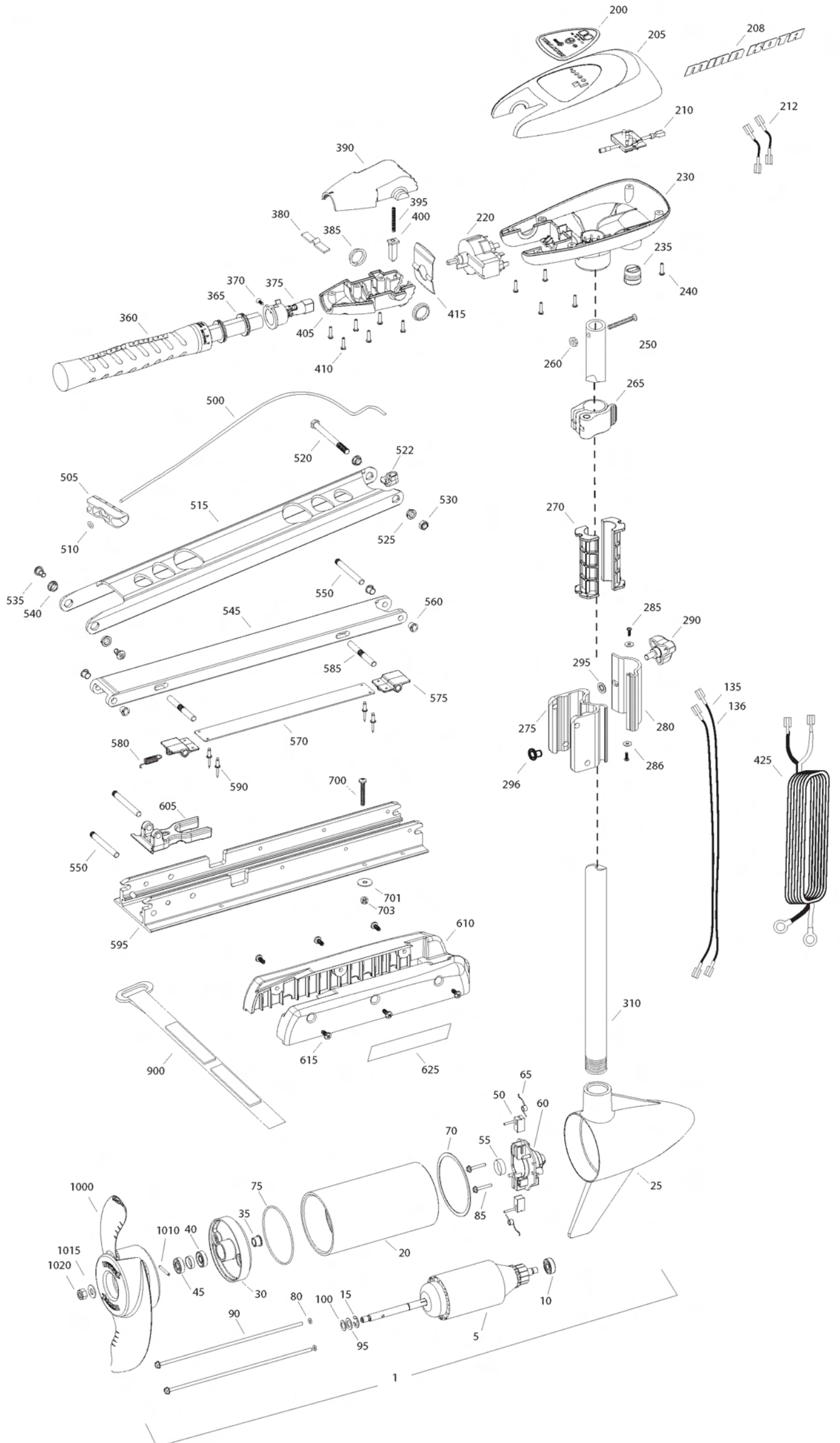


RT46/SE
46 LBS THRUST
12 VOLT 42 AMPS
52" SHAFT

for use with "M" serial numbers
2-year warranty



Item	P/N	Description	Qty	Item	P/N	Description	Qty	Item	P/N	Description	Qty
1	2097097	12V Motor 52" SW	1	■	2990951	Handle assy, 5SPD [360-410]	1	■	1378131	Propeller kit WW2	
5	2-100-121	Armature assembly	1	360	2990456	Grip/handle assy, 5SPD [360-375]	1	■	2994875	Propeller bag assy	
10	140-010	Bearing	1	365	2060015	Bearing, handle	2	1000	2091160	Propeller WW2	1
15	788-015	Retaining ring	1	370	2063405	Screw, #6 PFH SS	1	1010	2092600	Drive pin, small	1
20	2-200-301	Center housing assembly	1	375	2884091	Yoke / spider assy, 5SPD	1	1015	2151726	Washer, prop, small	1
25	2-300-337	Brush end housing assembly	1	380	2302742	Spring, detent, off	1	1020	2198400	Nut, nylock, prop, Anode	1
30	2-400-337	Plain end housing assembly	1	385	2060005	Bearing, handle pivot	2				
35	144-049	Flange bearing	1	390	2060900	Handle pivot, top	1				
40	880-003	Seal	1	395	2302745	Spring, release button	1				
45	880-006	Seal with shield	1	400	2063700	Button, release	1				
50	188-036	Brush	2	405	2060905	Handle pivot, bottom	1				
55	725-050	Paper tube	1	410	2303412	Screw, #6 x 5/8 SS	6				
60	738-036	Brush plate assembly	1								
65	975-040	Brush spring	2	415	2062715	Spring, handle pivot	1				
70	337-036	Gasket	1	425	2992523	Leadwire assy	1				
75	701-081	O-ring, motor	1								
80	701-008	O-ring, thru-bolt	2	■	2991701	Mount, Bow Assy	1				
85	830-007	Screw, 8-32	2			[270-295], [500-625]					
90	830-042	Thru-bolt	2	500	2251601	Rope	1				
95	990-067	Washer, steel	2	505	2150400	Pull grip	1				
100	990-070	Washer, nylon	2	510	2151700	Washer	1				
135	640-008	Leadwire, black	1	515	2264263	Arm, upper, std, sw	1				
136	640-107	Leadwire, red	1	520	2263506	Bolt, 3/8-16 x 4.25, ss	1				
■	2888460	Seal and O-ring Kit		522	2262310	Rope guide	1				
				525	2267303	Bushing, upper 3/8"	2				
200	2065658	Decal, c-box cover	1	530	2263115	Nut, 3/8-16 SS	1				
205	2060296	C-box cover	1	535	2263510	Bolt, shoulder	2				
208	2325666	Decal - MinnKota	2	540	2267302	Bushing, SS	2				
210	2074080	Battery meter, 12v SW	1	545	2264343	Arm, Lower, std, sw	1				
212	2070304	Wire, battery meter, blk	1	550	2260504	Pin, pivot ss	3				
	2070305	Wire, battery meter, red	1	560	2266002	Bushing, nyloner 3/8	4				
220	2064028	Switch 5 speed	1	■	2993811	Latch strap assy [570-590]	1				
230	2062506	Control box, 5 SPD, SW	1	570	2263605	Latch strap	1				
235	2062905	Strain relief	1	575	2261902	Latch Bracket	2				
240	2303412	Screw, #6 x 5/8 SS	6	580	2262709	Spring, latch pin, ss	1				
250	2383407	Screw, #10-24 x 2 SS	1	585	2260502	latch pin, ss	2				
260	2383124	Nut, 10-24, nylock, SS	1	590	2268602	Rivet, 1/8 ss	4				
265	2991521	Cam lock/depth collar assy	1	595	2266503	Bowplate w/ insert, std, sw	1				
				605	2261544	Yoke,	1				
270	2261537	Hinge sleeve	2	610	2263906	Motor rest, std, sw	1				
■	2991839	Hinge & door assembly [275-295]	1	615	2332104	Screw, 1/4-20 x 5/8, ss	6				
275	2261894	Hinge base assembly	1	625	2265668	Decal, motor rest	2				
280	2261898	Hinge door	1								
285	2332100	Screw, 8-32 x 3/8, ss	2	■	2994830	Bag assembly	1				
286	2261732	Washer, #8 nylon	2	700	2263431	Screw, 1/4-20 x 3 1/2" PPH, SS	6				
290	2260906	Knob	1	701	2301720	Washer, rubber mounting	6				
295	2261728	Washer, retaining	1	702	2261713	Washer, 1/4 SS	6				
				703	2263101	Nut, 1/4-20 Nylock, SS	6				
310	2002014	Tube Composite 52"	1								
				900	2263805	Strap, hold down	1				

* This item is part of an assembly. This item cannot be sold separately due to machining and /or assembly that is required.

12-24 VOLT 5 SPEED MODELS

THIS IS A UNIVERSAL MULTI-VOLTAGE DIAGRAM. DOUBLE CHECK YOUR MOTORS VOLTAGE FOR PROPER CONNECTIONS

Riptide 46 SE is 12-volt only!

FIVE SPEED SWITCH
INTERRUPTEUR A CING VITESSES

