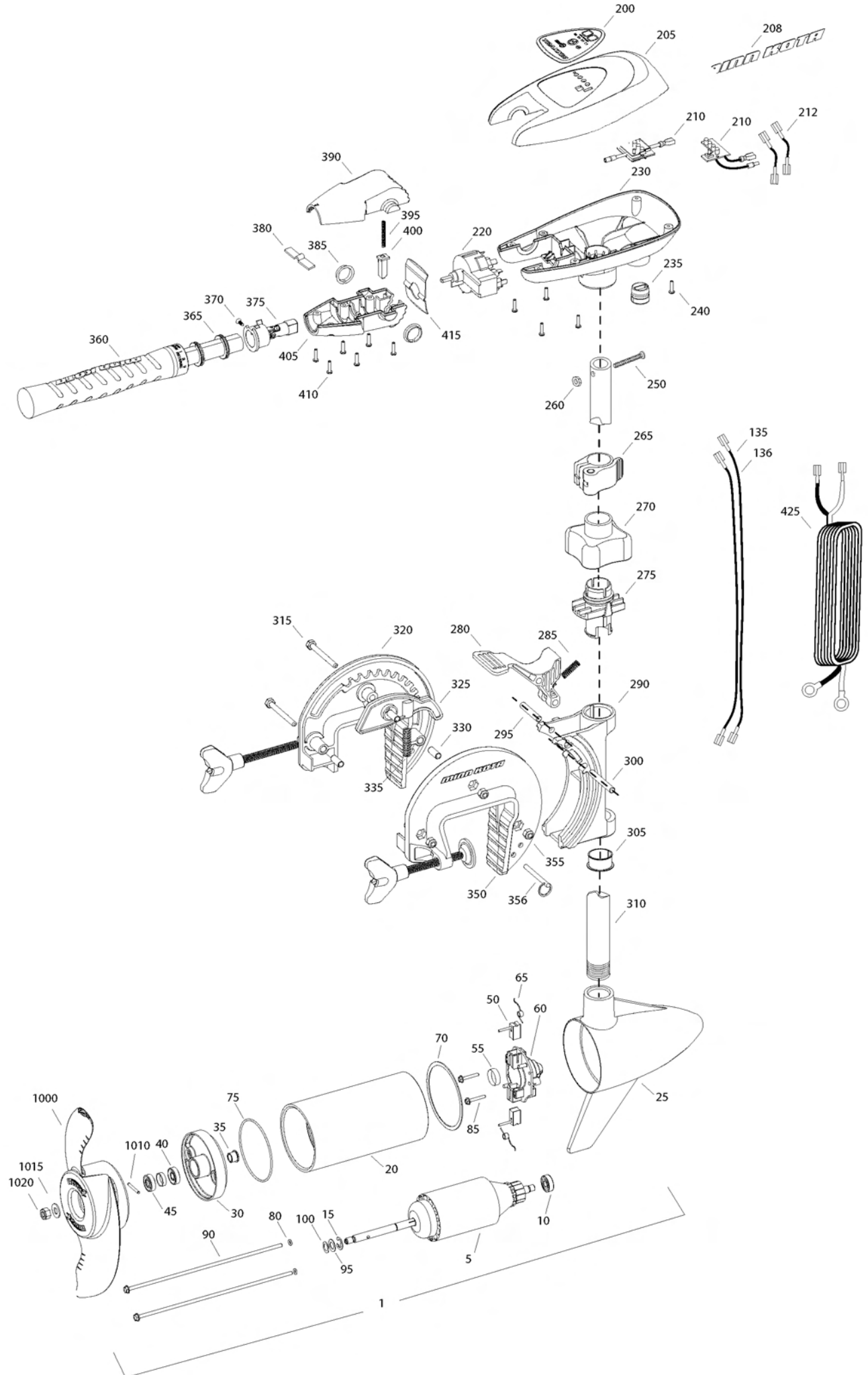


**TRAXXIS 55/SC**  
**55 LBS THRUST**  
**12 VOLT 50 AMPS**  
**36" SHAFT**

for use with "M" serial numbers  
2-year warranty



Item	P/N	Description	Qty	Item	P/N	Description	Qty
—1	2097086	12V Motor 36" FW	1	355	2263104	Nut, 1/4-20, nylock, Zinc	3
5	2-100-121	Armature assembly	1	356	2062604	Pin, stop	1
10	140-010	Bearing	1				
15	788-015	Retaining ring	1	■	2990956	Handle assy, SC [360-410]	1
20	2-200-101	Center housing assembly	1	360	2990451	Grip/handle assy, SC [360-375]	1
25	2-300-199	Brush end housing assembly	1	365	2060015	Bearing, handle	2
30	2-400-101	Plain end housing assembly	1	370	2063405	Screw, #6 PFH SS	1
35	144-049	Flange bearing	1	375	2884091	Yoke / spider assy, 5SPD	1
40	880-003	Seal	1	380	2302742	Spring, detent, off	1
45	880-006	Seal with shield	1	385	2060005	Bearing, handle pivot	2
50	188-036	Brush	2	390	2060900	Handle pivot, top	1
55	725-050	Paper tube	1	395	2302745	Spring, release button	1
60	738-036	Brush plate assembly	1	400	2063700	Button, release	1
65	975-040	Brush spring	2	405	2060905	Handle pivot, bottom	1
70	337-036	Gasket	1	410	2303412	Screw, #6 x 5/8 SS	6
75	701-081	O-ring, motor	1				
80	701-008	O-ring, thru-bolt	2	415	2062715	Spring, handle pivot	1
85	830-007	Screw, 8-32	2	425	2992524	Leadwire assy, includes [235]	1
90	830-042	Thru-bolt	2				
95	990-067	Washer, steel	2	■	1378170	Propeller kit	
100	990-070	Washer, nylatron	2	1000	2091170	Propeller	1
135	640-006	Leadwire, black	1	1010	2092600	Drive pin, small	1
136	640-115	Leadwire, red	1	1015	2151726	Washer, prop, small	1
■	2888460	Seal and O-ring Kit		1020	2053101	Nut, nylock, prop, small	1
200	2065694	Decal, c-box cover	1				
205	2060295	C-box cover	1				
208	2325665	Decal - MinnKota	2				
210	2074070	Battery meter, 12v FW	1				
220	2064023	Switch 5 speed	1				
230	2062505	Control box, 5 SPD, FW	1				
235	2062905	Strain relief	1				
240	2303412	Screw, #6 x 5/8 SS	6				
250	2383407	Screw, #10-24 x 2 SS	1				
260	2383124	Nut, 10-24, nylock, SS	1				
265	2991521	Cam lock/depth collar assy	1				
■	2991795	Bracket assy, Composite [270-356]	1				
270	2060100	Knob, steering tension, soft	1				
275	2068400	Collet	1				
280	2064200	Lock arm	1				
285	2062701	Spring, lock arm	1				
290	2061821	Hinge	1				
295	2062602	Pin, lock, Zinc	1				
300	2062602	Pin, lock, Zinc	1				
305	2037301	Bushing, hinge	1				
310	2032052	Tube 36"	1				
315	2063500	Bolt 1/4-20 x 2 3/8", Zinc	3				
320	2771950	Bracket, right, FW	1				
325	2067905	Cam deactivator	1				
330	2067306	Bushing, dowel 1/4 x 1/2	3				
335	2062702	Spring, cam deactivator	1				
■	2881380	Clamp screw kit	2 per kit				
350	2771955	Bracket, left, FW	1				

\* This item is part of an assembly. This item cannot be sold separately due to machining and /or assembly that is required.

# 12-24 VOLT 5 SPEED MODELS MODÈLES 12-24 V INTERRUPTEUR

THIS IS A UNIVERSAL MULTI-VOLTAGE DIAGRAM. DOUBLE CHECK YOUR MOTORS VOLTAGE FOR PROPER CONNECTIONS  
CECI EST UN SCHÉMA À TENSION MULTIPLE UNIVERSEL. REVÉRIFIEZ LA TENSION DE VOTRE MOTEUR POUR BIEN LE BRANCHER.

Traxxis 55/SC is 12-volt only!

FIVE SPEED SWITCH  
INTERRUPTEUR A CING VITESSES

