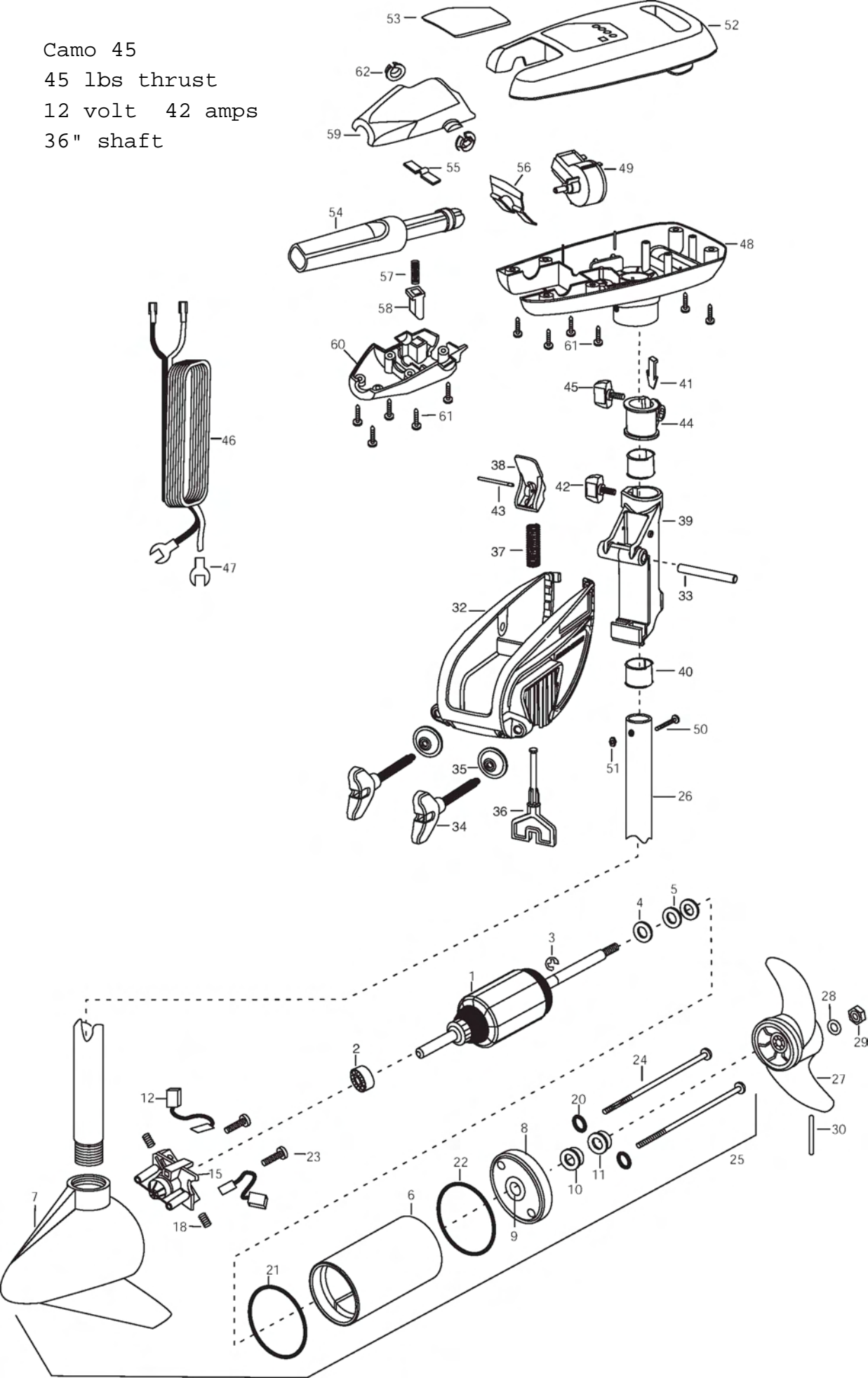


Camo 45

45 lbs thrust

12 volt 42 amps

36" shaft



# PARTS LIST

---

---

<b>Item</b>	<b>Part Number</b>	<b>Description</b>
1	2-100-204	ARMATURE ASSEMBLY 12V 3.25 45#
2	140-010	BEARING-BALL
3	788-015	RETAINING RING
4	990-067	WASHER- STEEL THRUST
5	990-070	WASHER- NYLATRON [2.EA]
6	2-200-079	HOUSING ASSEMBLY CENTER 3.25 TXT
7	2-300-132	HOUSING ASSEMBLY BRUSH END 3.25 SP. CO.
8	2-400-128	PLAIN END HOUSING ASSEMBLY 3.25
9	144-049	BEARING - FLANGE [SERVICE ONLY]
10	880-003	SEAL
11	880-006	SEAL W/SHIELD
14	188-052	BRUSH ASSEMBLY [2.EA]
17	738-030	BRUSH PLATE W/HOLDER 3.25 ASSEMBLY
18	975-032	SPRING-COMPRESSION [2.EA]
20	701-007	O-RING [2.EA]
21	701-041	O-RING
22	701-039	O-RING MK406460
23	830-001	SCREW - SELF-THREAD 8-32X1.7 [2.EA]
24	830-078	THRU BOLT 8-32X8.96 [2.EA]
25	2069255	MOTOR ASSEMBLY 12V 3.25 SC FW 45#
26	2067711	TUBE (COMP) WITH CS K HOLE 36" CAMO DIPPED
■	1378121	PROPELLER KIT
27	2061122	PROPELLER
28	2151726	WASHER-PROP (MEDIUM)
29	2053101	NUT-PROP NYLOC
30	2092600	PIN-DRIVE (SS)
■	2771810	BRACKET & HINGE ASSEMBLY - CAMO
■	2771910	BRACKET W/CLAMP SCREW ASSEMBLY (INCL. 32, 34, 35)

<b><u>Item</u></b>	<b><u>Part Number</u></b>	<b><u>Description</u></b>
*32	2061910	BRACKET PLASTIC
33	2060510	PIN-HINGE - ENDURA
*34	2061300	SCREW-CLAMP
*35	2011710	WASHER-CLAMP SCREW 1.5OD
■	2881300	CLAMP SCREW, WASHER, RETAINER KIT
36	2063605	T-BAR PLASTIC
37	2062706	SPRING- (T-BAR)
38	2067201	LEVER-TILT BLACK - ENDURA
39	2061810	HINGE-PLASTIC
40	2037301	BUSING-HINGE [2.EA]
41	2062800	TENSION BLOCK - SNAP IN
42	2011385	SCREW - TENSION / NEW KNOB
43	2060515	PIN - TILT LEVER
44	2061520	COLLAR-DEPTH (ENDURA)
45	2011365	SCREW - COLLAR / NEW KNOB
46	2050609	LEADWIRE (10 GA) W/SPADE TERM
47	2020702	TERMINAL SPADE 10 GA [2.EA]
48	2067706	CONTROL BOX - CAMO W/HAND 5 SPD
49	2064028	SWITCH - FWD/REV 5 SPD
50	2033400	SCREW-10-24 X 1-3/4
51	2013110	NUT-10-24 HEX
52	2060284	CONTROL BOX COVER - CAMO
53	2035622	DECAL - COVER 45 CAMO WATERFOWL
54	2990918	HANDLE ASSEMBLY - W/U-JOING 5 SPD
55	2302742	SPRING - DETENT OFF (SS)
56	2302743	SPRING - DETENT HANDLE - TILE
57	2302745	SPRING RELEASE BUTTON (SS)
58	2303720	RELEASE BUTTON - HANDLE
59	2067708	HANDLE (TOP HALF) CAMO
60	2067707	HANDLE (LOWER HALF) CAMO
61	2303412	SCREW - 6-20 X 5.8 SELF TAP [11 EA]
62	2060005	BEARING - HANDLE PIVOT [2 EA]
■	2883460	SEAL AND O RING KIT

\* This item is part of an assembly. This item cannot be sold separately due to machining and/or assembly that is required.

# WIRING DIAGRAM

