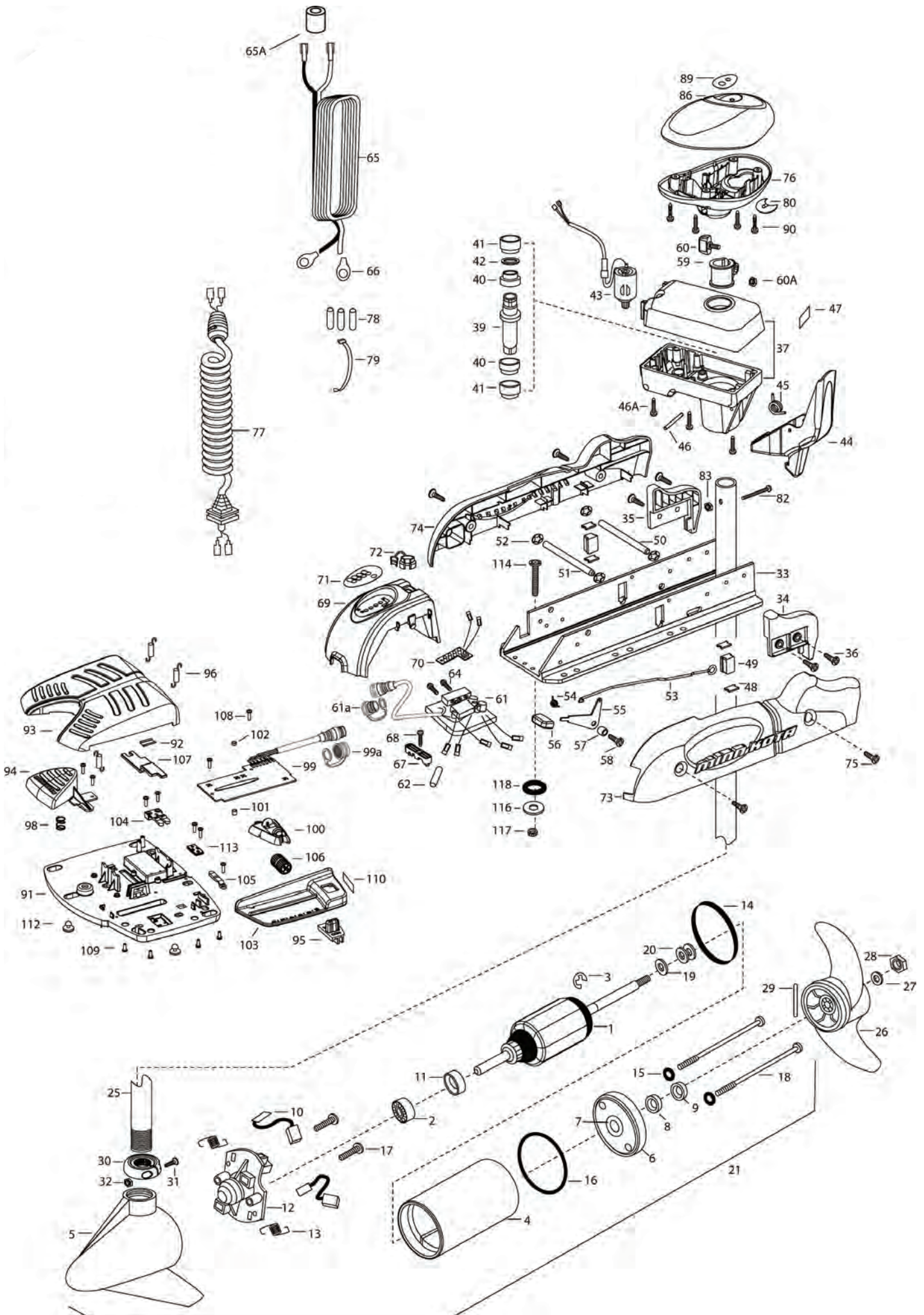


**54 PD PONTOON**  
**54 LBS THRUST**  
**12 VOLT 50 AMPS**  
**48" SHAFT**

for use with "N" serial numbers  
2-year warranty



|     |           |   |     |         |                                  |      |         |                                  |
|-----|-----------|---|-----|---------|----------------------------------|------|---------|----------------------------------|
| 1   | 2-100-121 | ARMATURE ASSEMBLY 12V VARS TXT            | *41 | 2307305 | BUSHING- OUTER [2.EA]            | 78   | 2065400 | WIRE INSULATOR-LGE 1-3/4 [3.EA]  |
| 2   | 140-010   | BALL BEARING                              | *42 | 2304603 | O-RING                           | 79   | 2256300 | TIE WRAP-5" BLACK                |
| 3   | 788-015   | RETAINING RING                            | 43  | 2307050 | MOTOR- DRIVE HOUSING HIGH SPD    | 80   | 2224702 | INSERT- PLUG                     |
| 4   | 2-200-101 | HOUSING ASSEMBLY CENTER 3.62 TXT          | 44  | 2307201 | LATCH HANDLE PD/AP               |      |         |                                  |
| 5   | 421-065   | HOUSING -BRUSH END 3.62 TXT               | 45  | 2302750 | SPRING- LATCH TORSION PD/AP      | 82   | 2033400 | SCREW-10-24 X 1-3/4 PPH Z/P      |
| 6   | 2-400-101 | PLAIN END HOUSING ASSEMBLY 3.625          | 46  | 2302627 | PIN- ROLL ZINC                   | 83   | 2013110 | NUT-HEX 10-24 ZCP                |
| 7   | 144-049   | BEARING - FLANGE (SERVICE ONLY)           | 46A | 2303407 | SCREW - DRIVE HOUSING [6 EA]     | 86   | 2300237 | CONTROL BOX COVER- POWERDRIVE    |
| 8   | 880-003   | SEAL                                      | 47  | 2305564 | DECAL-STOW/DEPLOY                | 89   | 2315683 | DECAL- COVER 54PD                |
| 9   | 880-006   | SEAL WITH SHIELD                          | 48  | 2305110 | PAD-PIVOT SUPT [4.EA]            | 90   | 2012100 | SCREW-8-18 X 5/8 THD CUT [4.EA]  |
| 10  | 188-036   | BRUSH ASSEMBLY [2.EA]                     | 49  | 2305103 | PIVOT PAD- NEW MTR'L [2.EA]      | ■    | 2994725 | FOOT PEDAL ASSEMBLY              |
| 11  | 725-050   | BRUSH RETENTION- PAPER TUBE               | 50  | 2300500 | PIN-LATCH                        | 91   | 2304505 | FOOT PEDAL BASE                  |
| 12  | 738-036   | BRUSH PLATE W/HOLDER                      | 51  | 2300510 | PIN-PIVOT                        | 92   | 2308501 | WEAR PLATE FOOT PDL              |
| 13  | 975-040   | SPRING - TORSION [2.EA]                   | 52  | 2013100 | NUT-SPEED [4.EA]                 | 93   | 2300255 | FOOT PEDAL, CORDED UPPER         |
| 14  | 337-036   | GASKET                                    | 53  | 2303612 | ROD-RELEASE RT/AP S              | 94   | 2303723 | BUTTON, MOMENTARY                |
| 15  | 701-008   | O-RING, THRU-BOLT [2.EA]                  | 54  | 2322700 | SPRING-RELEASE LEVER             | 95   | 2303722 | BUTTON, MOM/CON                  |
| 16  | 701-081   | O-RING                                    | 55  | 2303710 | LEVER-RELEASE                    | 96   | 2302730 | SPRING-LONG-UPPER PEDAL [3.EA]   |
| 17  | 830-007   | SCREW-8-32 [2.EA]                         | 56  | 2300101 | RELEASE-KNOB                     | 98   | 2302732 | SPRING-LOWER PEDAL               |
| 18  | 830-042   | THRU-BOLT 10-32X8.83 [2.EA]               | 57  | 2301700 | SPACER-RELEASE LEVER             | 99   | 2304052 | CONTROL BOARD ASSEMBLY-FT PDL    |
| 19  | 990-067   | WASHER- STEEL THRUST                      | 58  | 2303430 | SCREW-1/4-20 X 5/8               | 99A  | 2320207 | DUST CAP                         |
| 20  | 990-070   | WASHER - NYLATRON [2.EA]                  | 59  | 2031522 | COLLAR- DRIVE (W/INSERT)         | 100  | 2308620 | SLIDER, SPEED                    |
| 21  | 2097084   | MOTOR ASSEMBLY 12V 3.62 48"               | 60  | 2011365 | SCREW-COLLAR/NEW KNOB            | 101  | 2308409 | MAGNET, 1/4 X 1/4                |
|     | 2107095   | MOTOR ASSEMBLY US2 12V 3.62 VARS 48"      | 60A | 2323104 | NUT                              | 102  | 2778408 | MAGNET, 1/4 X 1/8                |
| 25  | 2032075   | TUBE-CARBON COMPOSITE 48"                 | 61  | 2304064 | CONTROL BOARD ASSEMBLY- 12V PD   | 103  | 2300252 | COVER, SPEED SELECTOR            |
| ■   | 1378131   | PROPELLER KIT                             | 61A | 2320208 | DUST PLUG                        | 104  | 2308606 | SWITCH, DOUBLE FINGER            |
| 26  | 2091160   | PROPELLER W/WEDGE 2                       | 62  | 2355410 | SHRINK TUBE-3/8 ODX2             | 105  | 2308608 | SWITCH, SINGLE FINGER            |
| 27  | 2151726   | WASHER-5/16 SS                            | 64  | 2303434 | SCREW-8-32 X 5/8 [3.EA]          | 106  | 2307900 | WHEEL, SPEED                     |
| 28  | 2053101   | NUT-PROP NYLOC                            | 65  | 2090651 | LEADWIRE IOGA 44"                | 107  | 2308625 | SLIDER, STEERING                 |
| 29  | 2092600   | PIN-DRIVE                                 | 65A | 2307310 | BEAD - FERRITE (CE MODELS ONLY)  | 108  | 2302100 | SCREW-6-20 X 1/2 [9.EA]          |
| 30  | 2301545   | COLLAR- LATCH PD/AP                       | 66  | 2020700 | TERMINAL RING [2.EA]             | 109  | 2372103 | SCREW-6-20 X 3/8 [4.EA]          |
| 31  | 2303434   | SCREW- 8-32X5/8 MACH PHCR                 | 67  | 2321310 | STRAIN RELIEF- BRACKET PD/AP     | 110  | 2316600 | DECAL, ON/OFF SWITCH             |
| 32  | 2303112   | NUT 8-32 NYLOC SS                         | 68  | 2323405 | SCREW-1/4-20 X 5/8               | 112  | 2994859 | BAG ASSEMBLY- 5 RUBBER BUMPERS   |
| 33  | 2301936   | EXTRUSION- BASE MACHINED                  | 69  | 2306555 | HOUSING- CENTER PD/AP            | 113  | 2302907 | STRN RLF PD FP                   |
| 34  | 2303932   | MOTOR REST- RIGHT 3-5/8                   | 70  | 2074070 | BATTERY GAUGE - 12 VOLT          | ■    | 2994864 | BAG ASSEMBLY- (BOLT,NUT,WASHERS) |
| 35  | 2303937   | MOTOR REST- LEFT 3-5/8                    | 71  | 2316605 | DECAL, BATTERY GAUGE             | *114 | 2263462 | BOLT-MOUNTING-1/4X2 W/STG [6.EA] |
| 36  | 2303430   | SCREW 1/4-20X5/8 SELF TAP [4.EA]          | 72  | 2302935 | STRAIN RELIEF-DR. HOUSING        | *116 | 2261713 | WASHER-1/4 [6.EA]                |
| 37  | 2771826   | DRIVE HOUSING / LATCH HANDLE ASSY         | 73  | 2303943 | SIDEPLATE (RIGHT)PD MK           | *117 | 2263103 | NUT NYLOK 1/4-20 MTG [6.EA]      |
| ■   | 2882011   | BUSHING/ OUTSHAFT KIT<br>(INCLUDES 39-42) | 74  | 2303948 | SIDEPLATE(LEFT)PD MK             | *118 | 2301720 | WASHER-MOUNTING RUBBER<br>[6.EA] |
| *39 | 2302010   | DRIVE HOUSING OUTPUT SHAFT                | 75  | 2303430 | SCREW-1/4-20 X 5/8- [4.EA]       | ■    |         |                                  |
| *40 | 2307304   | BUSHING- INNER [2.EA]                     | 76  | 2302515 | CONTROL BOX PD/AP                |      |         |                                  |
|     |           |   | 77  | 2991280 | COIL CORD WSTRAIN RELIEF 48, 54" |      | 2888460 | SEAL & ORING KIT                 |
|     |           |   |     | 2991282 | COIL CORD WSTRAIN RELIEF 60"     |      |         |                                  |

\* This item is part of an assembly. This item cannot be sold separately due to machining and/or assembly that is required.

P/N 2314953

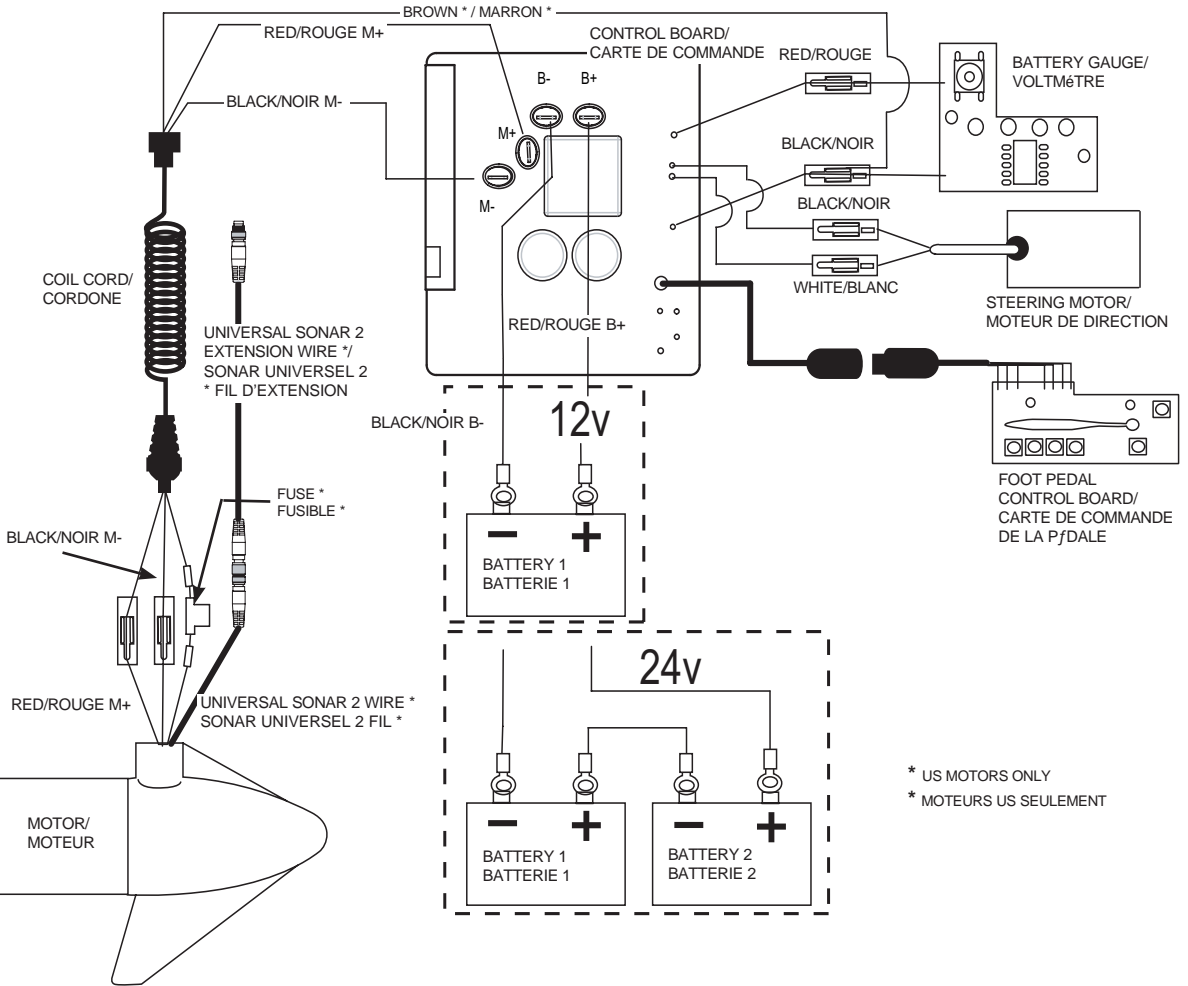
REV. U ECN 33914

5-12

# 12-24 VOLT MODELS / MODÈLES 12-24 V

THIS IS A UNIVERSAL MULTI-VOLTAGE DIAGRAM. DOUBLE CHECK YOUR MOTORS VOLTAGE FOR PROPER CONNECTIONS  
 CECI EST UN SCHÉMA À TENSION MULTIPLE UNIVERSEL. RÉVÉRIFIEZ LA TENSION DE VOTRE MOTEUR POUR BIEN LE BRANCHER.

Pontoon PD 54 is 12-volt only!



\* US MOTORS ONLY  
 \* MOTEURS US SEULEMENT

## NOTE:

1. BATTERY 2 AND CONNECTING WIRE USED FOR 24V APPLICATIONS ONLY
2. UNIVERSAL SONAR 2 WIRES APPLICABLE TO US2 MOTORS ONLY

## NOTEZ :

1. LA BATTERIE 2 DE CONNEXION LE FIL UTILISÉ POUR 24V LES APPLICATIONS SEULEMENT
2. LE SONAR UNIVERSEL 2 FILS APPLICABLES AUX MOTEURS US2 SEULEMENT