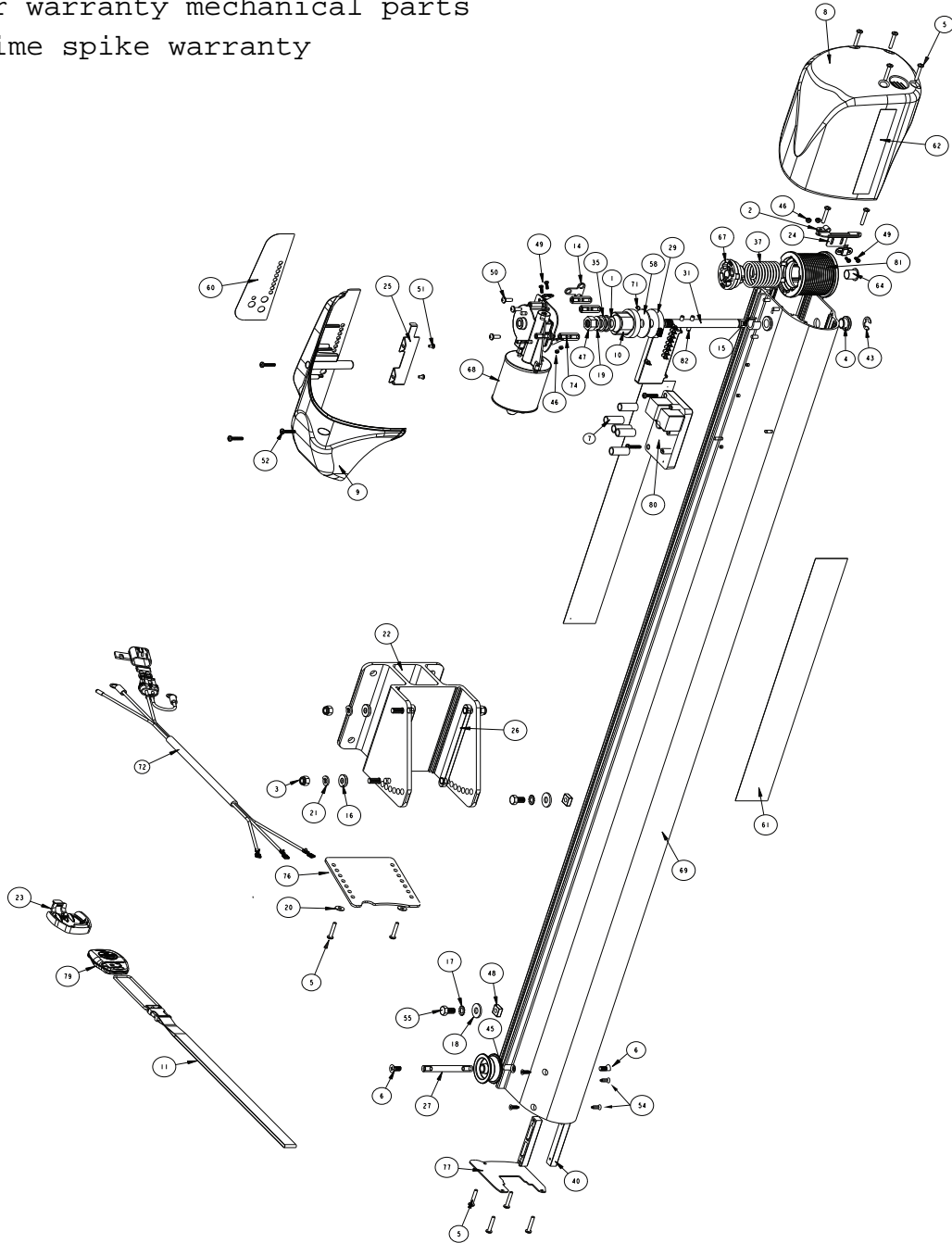
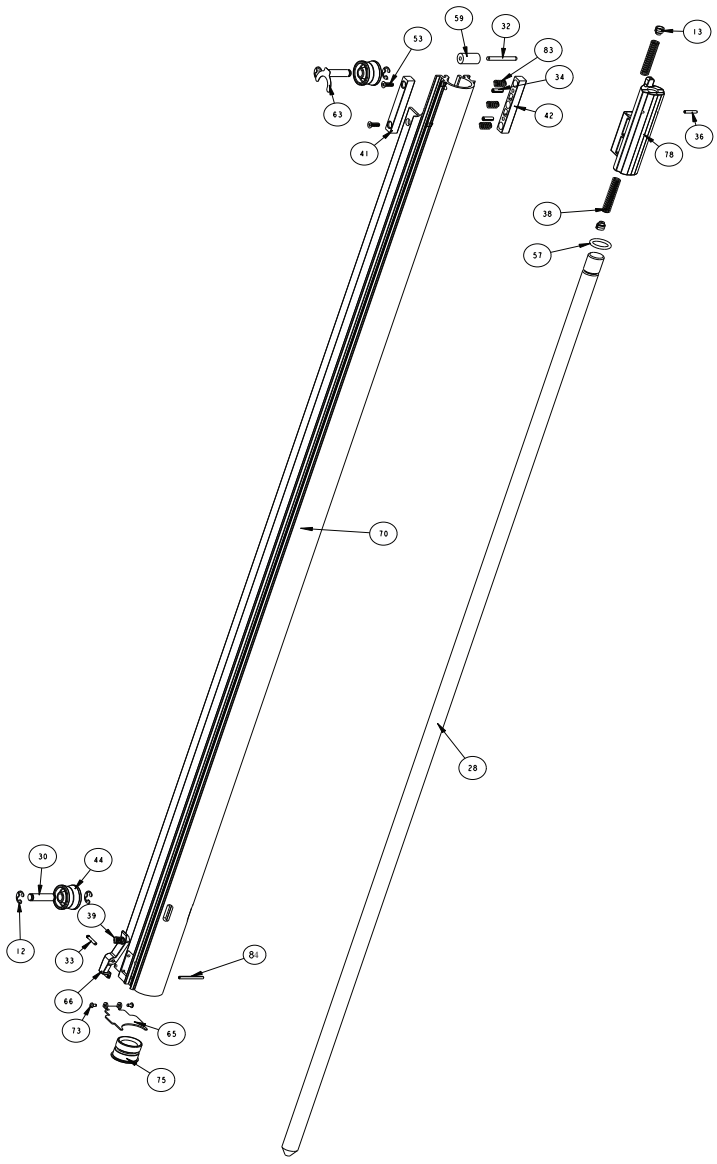


Talon - Shallow Water Anchor
for use with "N" serial numbers

2-year warranty electrical parts
5-year warranty mechanical parts
lifetime spike warranty





ITEM #	QTY	PART NUMBER	DESCRIPTION
1	1	990052	NYLATRON WASHER
2	1	2052510	CLAMP CABLE, 3/16"
3	4	2053101	NUT-PROP, NYLOCK (MED) 5/16" SS
4	2	2227304	BUSHING - HAT 1/2" SHAFT BRONZE
5	12	2263434	#8 - 18 x 1 SS PPH
6	2	2283410	SCREW, 1/4" - 20 X 3/4" FLAT
7	5	2305404	SHRINK TUBE .375 ID x 1.0"
8	1	2370270 / 2370271	COVER TALON, TOP, BLK / WHT
9	1	2370275 / 2370276	COVER TALON, BTM, BLK / WHT
10	1	2370813	COUPLER, DRIVE
11	1	2370818	LANYARD, REMOTE
12	4	2370832	C - CLIP, 3/8" LOW CLEARANCE - SS
13	2	2370850	CABLE - KEEPER
14	1	2371535	BUTTON SPACER
15	1	2371536	WRAP DRUM SPACER
16	4	2371746	WASHER .6875 X .3125, SS
17	2	2371747	LOCKWASHER 5/16" EXT.
18	2	2371749	5/16" FLAT WASHER, SS
19	1	2371753	1/2" FLAT WASHER, SS
20	2	2371754	#8 WASHER, 1/2" OD, SS
21	4	2371756	LOCK WASHER, 5/16" - SS
22	1	2371880	BRACKET, MOUNTING
23	1	2371883	REMOTE DASH HOLDER
24	1	2371887	BRACKET, HALL - SENSOR
25	1	2371918	BACKING PLATE, LED BOARD
26	2	2993803	STRAP-BRACKET/STUD ASSY
27	1	2372662	PIN - PULLEY, LONG
28	1	2372008 / 2372009	SPIKE, .75" x 8' / 6'
29	1	2372230	CLUTCH, BACK
30	2	2372316	SHAFT, IDLER
31	1	2372648	PIN, WRAP DRUM - DRIVE
32	1	2372652	PIN, 1/4" STOP
33	2	2372653	PIN, KNURLED - 1/8"
34	2	2372655	PIN, SPRING 3/16" x 5/8" SS
35	2	2372656	WASHER, BELLEVILLE - CLUTCH
36	1	2383454	SCREW - #6 - 32 X .75" SET SS
37	1	2372741	SPRING, TORSION - WRAP DRUM
38	2	2372742	SPRING, PISTON
39	1	2372743	SPRING, .36 x .5
40	2	2372820	SLIDE GIB, LOWER
41	1	2372821	SLIDE GIB, UPPER
42	1	2372822	SLIDE GIB, FLOATING
43	1	2373005	E-RING EXTERNAL SS .500
44	2	2373030	PULLEY, IDLER, SMALL
45	1	2373031	PULLEY, IDLER, LARGE
46	4	2373106	NUT - #4 - 40, NYLOCK, SS
47	1	2373107	NUT, CLUTCH
48	2	2373130	SQUARE NUT
49	4	2373439	SCREW #4 - 40 x 5/16" PPH, SS
50	6	2373481	SCREW #10 - 32 x 1/2" SEMS, PPH, SS
51	4	2373485	#6 - 32 x 1/4" TYPE F, PPH, SS
52	5	2373487	SCREW #8 - 32 x 5/8" PPMS, SS
53	2	2373489	SCREW #10 - 24 x 1/2" MACHINE
54	4	2373491	SCREW, #6 x .50 SS HI - LO
55	2	2373493	5/16 - 18 x 1/2 HHCS, SS
57	1	2374632	O-RING, 3/4" ID x .125

ITEM #	QTY	PART NUMBER	DESCRIPTION
58	1	2375116	CLUTCH, PAD
59	1	2375416	INSULATOR, 1/4" STOP PIN
60	1	2375560 / 61 / 62 / 63	DECAL, TALON CTRL PNL 6' WHT / 6' BLK / 8' WHT / 8' BLK
61	2	2375564	MINN KOTA DECAL LARGE
62	1	2375565 / 2375566	TALON DECAL WHITE / TALON DECAL BLACK
63	1	2375567	DECAL, CRANK UP ARROW
64	1	2376012	BEARING, WRAP DRUM
65	1	2376440	SHIELD - DEBRIS, SECOND STAGE
66	1	2377205	LATCH SECOND STAGE
67	1	2377905	HUB, WRAP DRUM
68	1	2377811	LIFT MOTOR FINAL ASSEMBLY
69	1	2378041 / 2378042	MACHINED OUTER EXTRUSION, 6' / 8'
70	1	2378016 / 2378017	EXTRUSION 2ND STAGE TALON, 6' / 8'
71	2	2378448	.187 X .125 MAGNET
72	1	2378510	POWER CORD, 14AWG, 3 CONDUCTOR
73	2	2378601	ALUM POP RIVET, 1/8"
74	3	2378800	SPACER, MOTOR MOUNT
75	1	2378825	ISOLATOR, SPIKE
76	1	2378806	WATER SHIELD - ALUM, DEFLECTOR TALON
77	1	2378807	WATER GUARD, BOTTOM
78	1	2991509	PISTON W/ MAGNETS ASM
79	1	2994044	REMOTE ASSEMBLY
80	1	2994046	CONTROL BOARD, MAIN
81	1	2997915	DRUM - MODULAR - ASM
82	2	3392640	PIN, DRIVESHAFT
83	3	2372740	SPRING, GIB TENSION
84	1	2372654	1/8" X 1 - 1/4" SS, SPRING PIN

INCLUDES ITEM #(S)	PART NUMBER	DESCRIPTION
69, 74, 50, 61, 4, 40, 54	2778011	EXTRUSION 1 ST STAGE SERV ASM 6'
69, 74, 50, 61, 4, 40, 54	2778012	EXTRUSION 1 ST STAGE SERV ASM 8'
42, 34	2772822	FLOATING SLIDE GIB w/ PINS ASM
83	2882740	FLOATING GIB SPRING, INSTRC KIT
41, 53	2882821	UPPER SLIDE GIB RPLCMNT KIT
70, 66, 39, 33	2778016	EXTRUSION 2 ND STAGE/LATCH ASM 6'
70, 66, 39, 33	2778017	EXTRUSION 2 ND STAGE/LATCH ASM 8'
66, 39, 33	2887205	LATCH ASM w/ PIN & SPRING HDW
28, 84, 36, 57	2882008	SPIKE 8' REPLACEMENT KIT
28, 84, 36, 57	2882009	SPIKE 6' REPLACEMENT KIT
77, 5	2888807	WATER GUARD REPLACEMENT KIT
81, 37, 64, 67	2777910	WRAP DRUM REPLACEMENT KIT
24, 49, 46	2881887	BRACKET, HALL SENSOR RPLCMT KIT
68, 7	2887811	MOTOR ASM, HEAT SHRINK KIT
31, 82, 29, 71, 58, 10, 1, 19, 33, 35, 47, 4, 43, 82 (part # 2371755, 2378448 - not shown)	2772231	CLUTCH ASM, HARDWARE KIT
80, 7	2884045	SWA PCB ASM, HEAT SHRINK KIT
72, 7	2888510	POWER CHORD, HEAT SHRINK KIT
8, 62	2770271	COVER-TOP, TALON WHT w/ DECAL
8, 62	2770270	COVER-TOP, TALON BLK w/ DECAL
9, 60	2770275	COVER-BTTM, TALON BLK w/ DECAL 6'
9, 60	2770276	COVER-BTTM, TALON WHT w/ DECAL 6'
9, 60	2770277	COVER-BTTM, TALON BLK w/ DECAL 8'
9, 60	2770278	COVER-BTTM, TALON WHT w/ DECAL 8'
38, 13 (part # 2370840, 2370841 - not shown)	2770840	CABLE REPLACEMENT KIT 8'
38, 13 (part # 2370842, 2370841 - not shown)	2770842	CABLE REPLACEMENT KIT 6'

