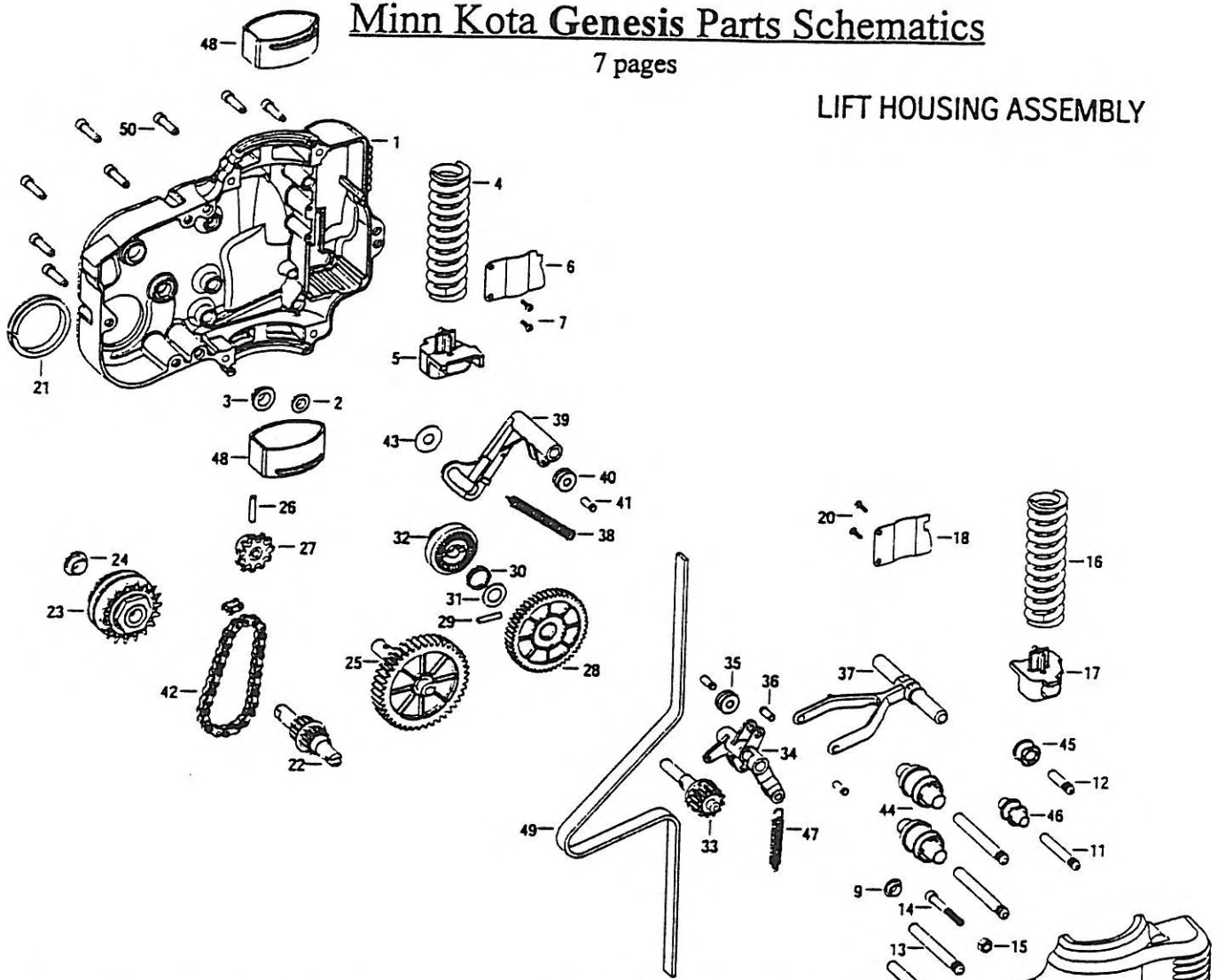


Minn Kota Genesis Parts Schematics

7 pages

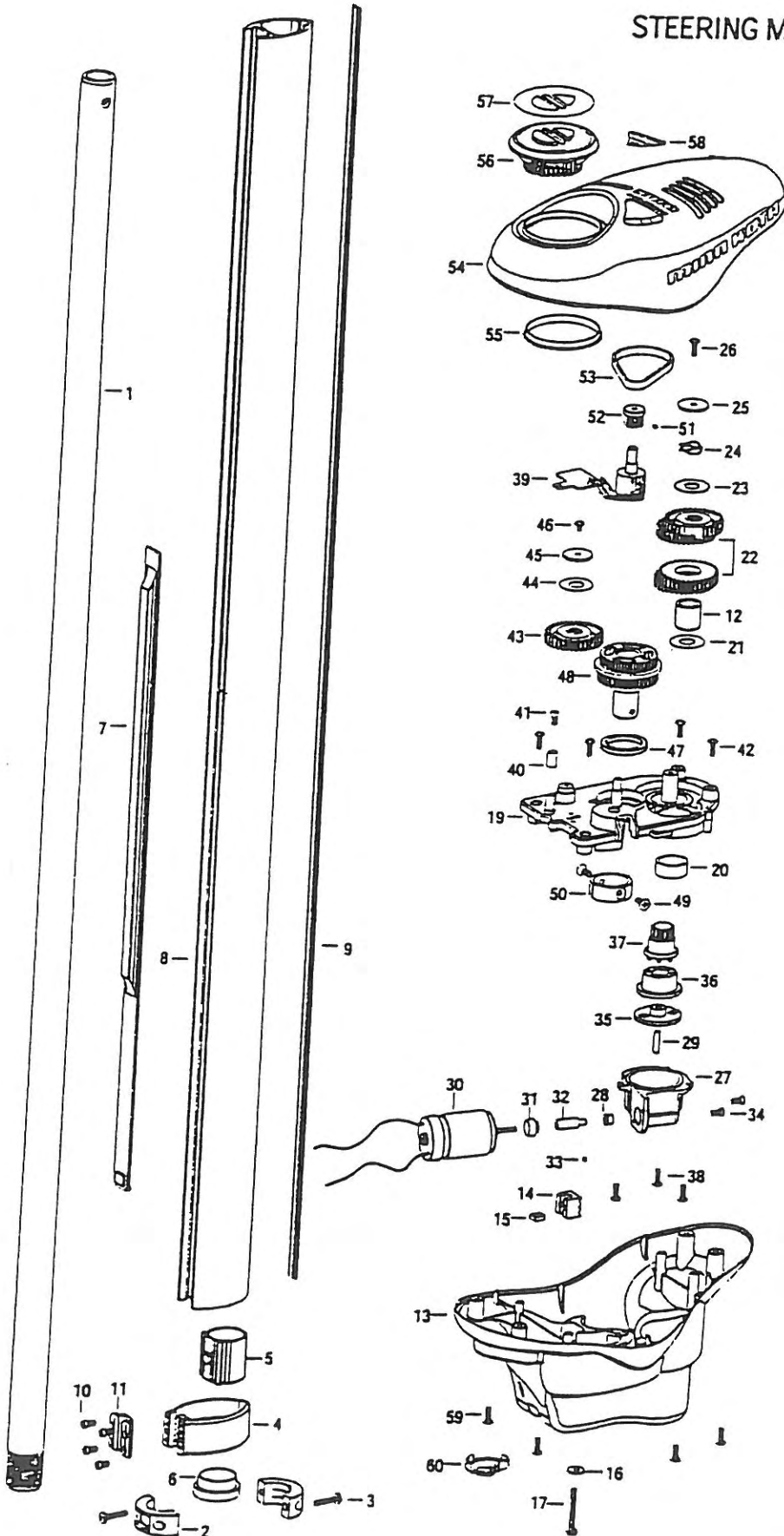
LIFT HOUSING ASSEMBLY



- 2771851 LIFT HOUSING, LEFT ASSEMBLY
- *1 LIFT HOUSING, LEFT
- *2 BUSHING-HAT 3/8" SHAFT BRO
- *3 BUSHING-HAT 1/2" SHAFT BRO
- *4 SPRING, BREAKAWAY, CHRM SIL
- *5 REST-SPRING, LH, LIFT HOUSING
- *6 COVER-SPRING, LH, LFT HOUSING
- *7 SCREW-#8-32 X 3/8 TRI-LOBE (2.EA)
- 2771853 LIFT HOUSING, RIGHT ASSEMBLY
- *8 LIFT HOUSING, RIGHT
- *9 BUSHING-HAT 3/8" SHAFT BRO
- *10 BUSHING-HAT 1/2" SHAFT BRO (2.EA)
- *11 SHAFT-ROLLER, LONG, SS 2.
- *12 SHAFT-ROLLER, SHORT, SS.1
- *13 PIN-IDLER PULLEY, BELT SS (4.EA)
- *14 SCREW-1/4-20 X 2" SCKT HD
- *15 NUT-HEX 1/4-20 SS
- *16 SPRING, BREAKAWAY, CHRM SIL
- *17 REST-SPRING, RH, LIFT HOUSIN
- *18 COVER-SPRING, RH, LFT HOUSIN
- *20 SCREW-#8-32 X 3/8 TRI-LOBE (2.EA)
- 21 2220010 BEARING-NYLINER
- 22 2992300 SHAFT/GEAR ASSEMBLY, INPUT
- 2772201 SLIP CLUTCH ASSEMBLY
- *23 SLIP CLUTCH
- *24 BUSHING-HAT 1/2" SHAFT BRO
- 25 2992211 GEAR/SHAFT ASSY 226-2602/2
- 26 2222620 PIN-DRIV LOK 3/16 X 1 SS
- 27 2222330 SPROCKET (11 TOOTH) SS
- 28 2222202 GEAR 2 (50 TOOTH)
- 29 2222622 PIN 3/16" X 7/8" SS
- 30 2222704 SPRING-CLUTCH SS OD .845
- 31 2221708 WASHER-FLAT OD .875 ID .5
- 32 2222210 CLUTCH-GEAR 2
- 33 2992210 SHAFT/GEAR ASSEMBLY
- 2777100 CAM ASSEMBLY, LOWER
- *34 CAM-LOWER
- *35 ROLLER-BELT, TUBE
- *36 PIN-ROLLER, CAM SS (3.EA)
- *37 LINK-CAM/LATCH PIN ASSEMBLY, S
- *38 2222700 SPRING-CAM, LOWER OD .375
- 2777105 CAM ASSEMBLY, UPPER, SS
- *39 CAM-UPPER
- *40 ROLLER-BELT, TUBE
- *41 PIN-ROLLER, CAM SS
- 42 2220800 CHAIN W/LNK #35-28 PTCH, SS
- 43 2221706 WASHER-THRUST, SS PASSIVAT
- 44 2222306 PULLEY-IDLER, BELT, ACETAL (2.EA)
- 45 2222320 ROLLER-SHAFT, SHORT, ACETAL
- 46 2222322 ROLLER-SHAFT, LONG, ACETAL
- 47 2222712 SPRING-LATCH RETURN SS
- 48 2220000 BEARING-TUBE, UPPER (2.EA)
- 49 2770812 BELT-LIFT (CUT FOR 52")
- 2770811 BELT-LIFT (CUT FOR 45")
- 2770813 BELT-LIFT (CUT FOR 60")
- 50 2223400 SCREW-1/4-20 X 1" SKT HD SS (8.EA)
- 51 2227302 BUSHING- DRV HSG/ MTR MT 3/8
- 2991850 LIFT HOUSING W/BELT COMPLETE 45"
- 2991860 LIFT HOUSING W/BELT COMPLETE 52"
- 2991885 LIFT HOUSING W/BELT COMPLETE 60"

* part of an assembly, not available separately.

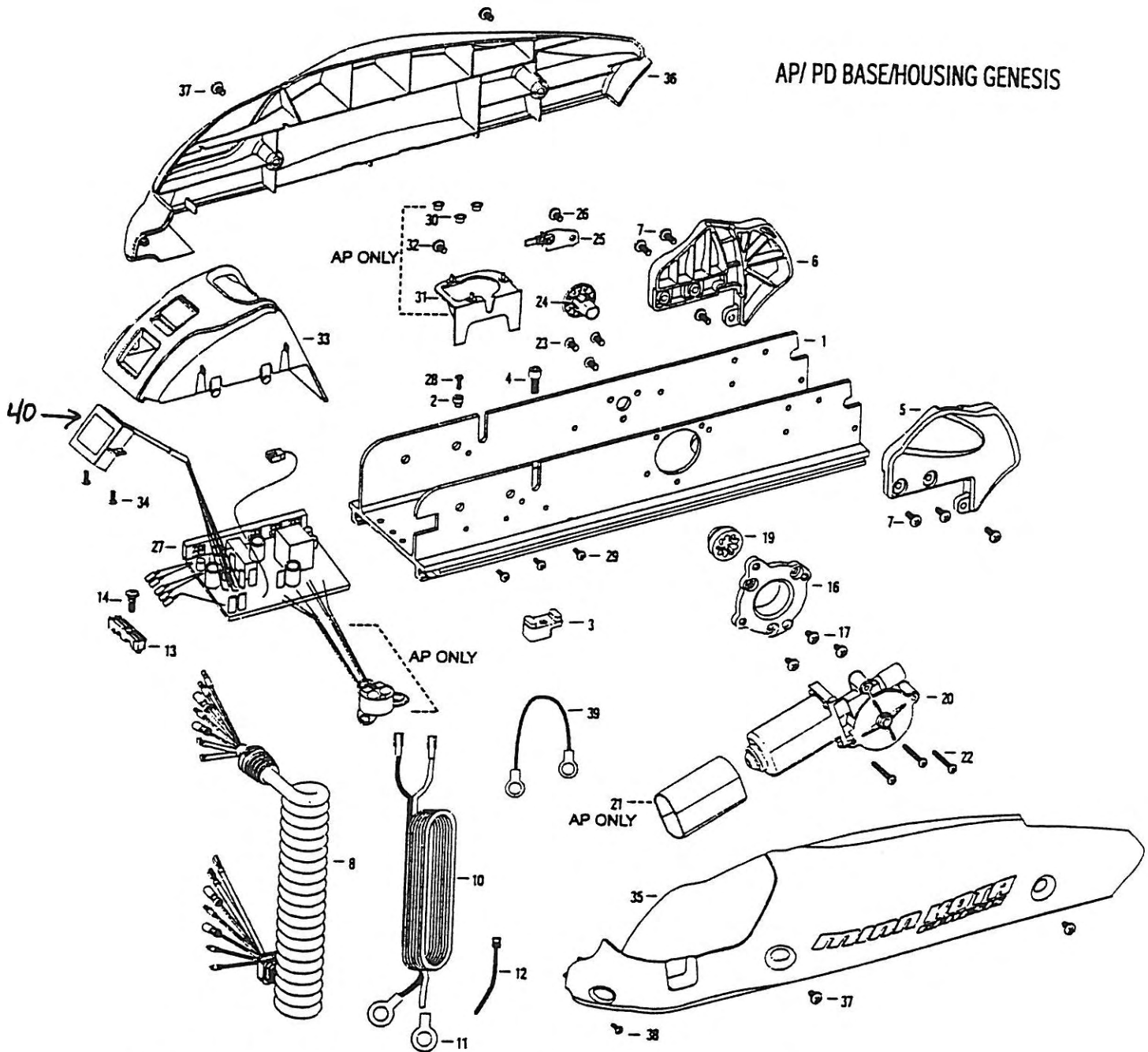
STEERING MODULE



- 1 2222005 TUBE-INNER 49.3 COMPOSITE- 45°
- 2222006 TUBE-INNER 56.8 COMPOSITE- 52°
- 2222007 TUBE-INNER 64.8 COMPOSITE- 60°
- 2 2261619 COLLAR HALF-ZINC-2 PER.1
- 3 2263452 SCREW-1/4-20 X 3/4 SHCS SS [2.EA]
- 4 2221501 COLLAR-LOWER, PLASTIC
- 5 2227324 BUSHING,TUBE, ACETAL, BLK
- 6 2227310 BUSHING-LOWER, NYLON
- 7 2227905 CAM LIFT, TUBE ASSEMBLY
- 8 2222000 TUBE-OUTER 45° PULTRUSION
- 2222001 TUBE-OUTER 52° PULTRUSION
- 2222002 TUBE-OUTER 60° PULTRUSION
- 9 2228420 EXTRUSION-TRANSDUCER, 45°
- 2228421 EXTRUSION-TRANSDUCER, 52°
- 2228422 EXTRUSION-TRANSDUCER, 60°
- 10 2221301 SCREW-#6-19 X.3125 TRI-LOBE [4.EA]
- 11 2223200 BELT CLAMP/TUBE ASSEMBLY
- 12 2227332 BUSHING
- 13 2222500 CONTROL BOX, LOWER, GENESIS,
- 14 2228400 TENSIONER-BELT (GENESIS)
- 15 2223103 NUT-SQUARE BELT 10-24 ZINC
- 16 2151700 WASHER-EYE SHAFT(.562 OD)
- 17 2331304 SCREW-#10-24 X 1-1/2 PHCR
- 2991891 MOUNTING PLATE/BUSHING ASM
- *19 PLATE-MOUNTING (CHASSIS)
- *20 BUSHING-FLANGE 13/16 x
- 21 2221720 WASHER,NYLATRON ID.511 OD1
- 22 2222218 GEAR-IDLER, CLUTCH, DELRIN [2.EA]
- 23 2221720 WASHER,NYLATRON ID.511 OD1
- 24 2222709 SPRING, CLUTCH ZINC
- 25 2221713 WASHER-FLAT ZP PLATE ASSY
- 26 2223435 SCREW-#8-18 X.5 TRI-LOB PPH
- 277805 12V STEERING MOTOR ASSEMBLY
- 277806 24V STEERING MOTOR ASSEMBLY
- *27 HOUSING-TRANSMISSION, MACH
- *28 BUSHING, TRANSMISSION BRONZE
- *29 PIN-DOWEL_STBLZR .187 X
- *30 STEERING MTR/LEADWIRE 12V
- STEERING MTR/LEADWIRE 24V
- 31 2227318 BUSHING, MTR END BRONZE
- 32 2222238 WORM, SS
- 33 2223460 SCREW-SET,4-40 X .125 HEX
- 34 2223456 SCREW, MNT-.5 X8MM PHC [2.EA]
- 35 2222236 GEAR, HELICAL, BRONZE
- 36 2220822 COUPLER, TRANSMISSION, NYLO
- 37 2222230 GEAR-MOTOR ASSY, ELECTRIC
- 38 2223427 SCREW-#6-19 X.5 ZP PPH TL [3.EA]
- 39 2224005 FEEDBACK POT/BOARD
- 40 2227326 BUSHING ID 1/4,OD 1/2 X1
- 41 2221301 SCREW-#6-19 X.3125 TRI-LOBE
- 42 2372100 SCREW-8-18 X 5/8 THD" SS [4.EA]
- 43 2222220 GEAR-IDLER, CLUTCH, DELRIN
- 44 2221720 WASHER,NYLATRON ID.511 OD0.1
- 45 2221713 WASHER-FLAT ZP (PLATE ASM)
- 46 2223465 SCREW-#8-18 X.25 TRI-LOB ZN
- 47 2266000 BEARING BALL-STEEL
- 48 2222224 GEAR-BUSHING, PRIMARY
- 49 2223468 SCREW-#8-32 X 7/16 FLT RD.MA
- 50 2221505 COLLAR-TUBE
- 51 2223466 SCREW-SET #6-32 X .125 CUP
- 52 2222226 GEAR-POT .200" PITCH XL DELRIN
- 53 2220815 BELT-POTENTIOMETER
- 54 2220200 CONTROL BOX COVER, GENESIS
- 55 2227328 BUSHING-COVER, PET W/TEFLON
- 56 2222222 INDICATOR-DIRECTIONAL
- 57 2225620 DECAL-INDICATOR, GENESIS
- 58 2225602 DECAL-COVER, GENESIS 55# AP
- 2225603 DECAL-COVER, GENESIS 74# AP
- 2225600 DECAL-COVER, GENESIS 55
- 2225601 DECAL-COVER, GENESIS 74
- 59 2372100 SCREW-8-18 X 5/8 TRD SS [4.EA]
- 60 2224700 INSERT-PLUG

* part of an assembly, not available separately.

AP/ PD BASE/HOUSING GENESIS

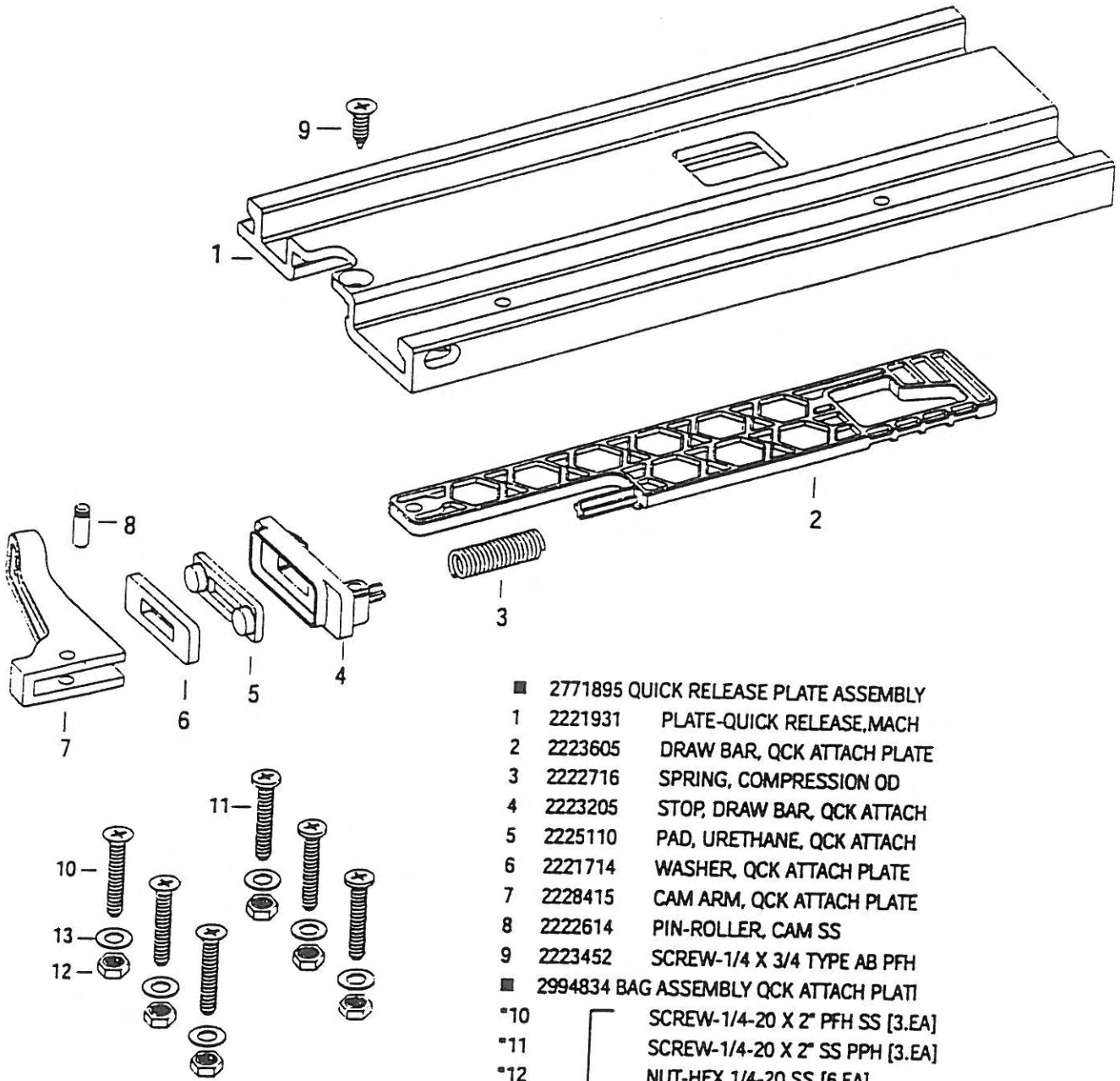


- | | | | | | |
|----|----------|--|----|----------|--|
| 1 | Z771912 | BASE-EXTRUSION ASSEMBLY | 21 | Z220210 | SHIELD, LIFTMOTOR AP, GEN (2,EA) |
| 2 | | BASE-EXTRUSION, MACHINED | 22 | Z223404 | SCREW-10-24 X 1.5 TR-LB ZP (3,EA) |
| 3 | Z228410 | INSERT-THREADED BRASS .410 | 23 | Z223418 | SCREW-1/4-20 X 1/2 SS BHCS (3,EA) |
| 4 | Z223444 | CAM PUCK, OCK ATTACH PLA | 24 | Z224065 | WHEEL-ENCODER |
| 5 | Z223910 | SCREW-5/16-18 X 3/4 SHCS | 25 | Z221935 | BRACKET-ENCODER ACETAL BLACK |
| 6 | Z223930 | RAMP-MOTOR, RIGHT, 3 5/8" | 26 | Z223411 | SCREW-1/4-20 X 7/16 ZP TRI-LOBE |
| 7 | Z223935 | RAMP-MOTOR, RIGHT, 4." | 27 | Z224010 | CONTROL BOARD 12V PD GENESIS |
| 8 | Z223915 | RAMP-MOTOR, LEFT, 3 5/8" | | Z224012 | CONTROL BOARD 24V PD GENESIS |
| 9 | Z223935 | RAMP-MOTOR, LEFT, 4." | | Z224011 | CTRL BRD/COMPASS ASSEMBLY 12V AP |
| 10 | Z303430 | SCREW-1/4-20 X 5/8-SELFTAP (8,EA) | | Z224013 | CTRL BRD/COMPASS ASSEMBLY 24V AP |
| 11 | Z991200 | COIL CORD W/STRN RELIEF 45" | 28 | Z332100 | SCREW-8-32 X 3/8 MACHINE |
| 12 | Z991201 | COIL CORD W/STRN RELIEF 52" | 29 | Z223454 | SCREW-#10-32 X 1/2" SS MACH (3,EA) |
| 13 | Z991202 | COIL CORD W/STRN RELIEF 60" | 30 | Z302960 | GROMMET-COMPASS (3,EA) |
| 14 | Z2080601 | LEADWIRE 10GA 44" | 31 | Z221920 | BRACKET-MOUNTING, COMPASS |
| 15 | Z2020700 | TERMINAL RING, 3/8" (2,EA) | 32 | Z223410 | SCREW-1/4-20 X 7/16 SS TRI-LOBE |
| 16 | Z2026300 | TIE WRAP (HANKING WIRE) | 33 | Z226500 | HOUSING-CENTER, DISPLAY, BLA |
| 17 | Z222905 | STRAIN RELIEF BRACKET, GENESIS | 34 | Z302100 | SCREW-6-20 X 1/2 THD CUTS (2,EA) |
| 18 | Z223438 | SCREW-1/4-20 X 3/4 ZP TRI-LOBE | 35 | Z223900 | SIDEPLATE, RIGHT GENESIS |
| 19 | Z221910 | MOUNT-MOTOR SPACER | 36 | Z223905 | SIDEPLATE, LEFT GENESIS |
| 20 | Z223411 | SCREW-1/4-20 X 7/16 EP TRI-LOBE (3,EA) | 37 | Z223411 | SCREW-1/4-20 X 7/16 ZP TRI-LOBE (4,EA) |
| 21 | Z222208 | GEAR-DRIVE, LIFT MOTOR | 38 | Z372100 | SCREW-8-18 X 5/8 THD" SS |
| 22 | Z227800 | MOTOR-LIFT, 12V, 35 AMPS | 39 | Z2340810 | CONNECTOR CABLE- 24V ONLY |

40 Z224015
LCD

* part of an assembly, not available separately.

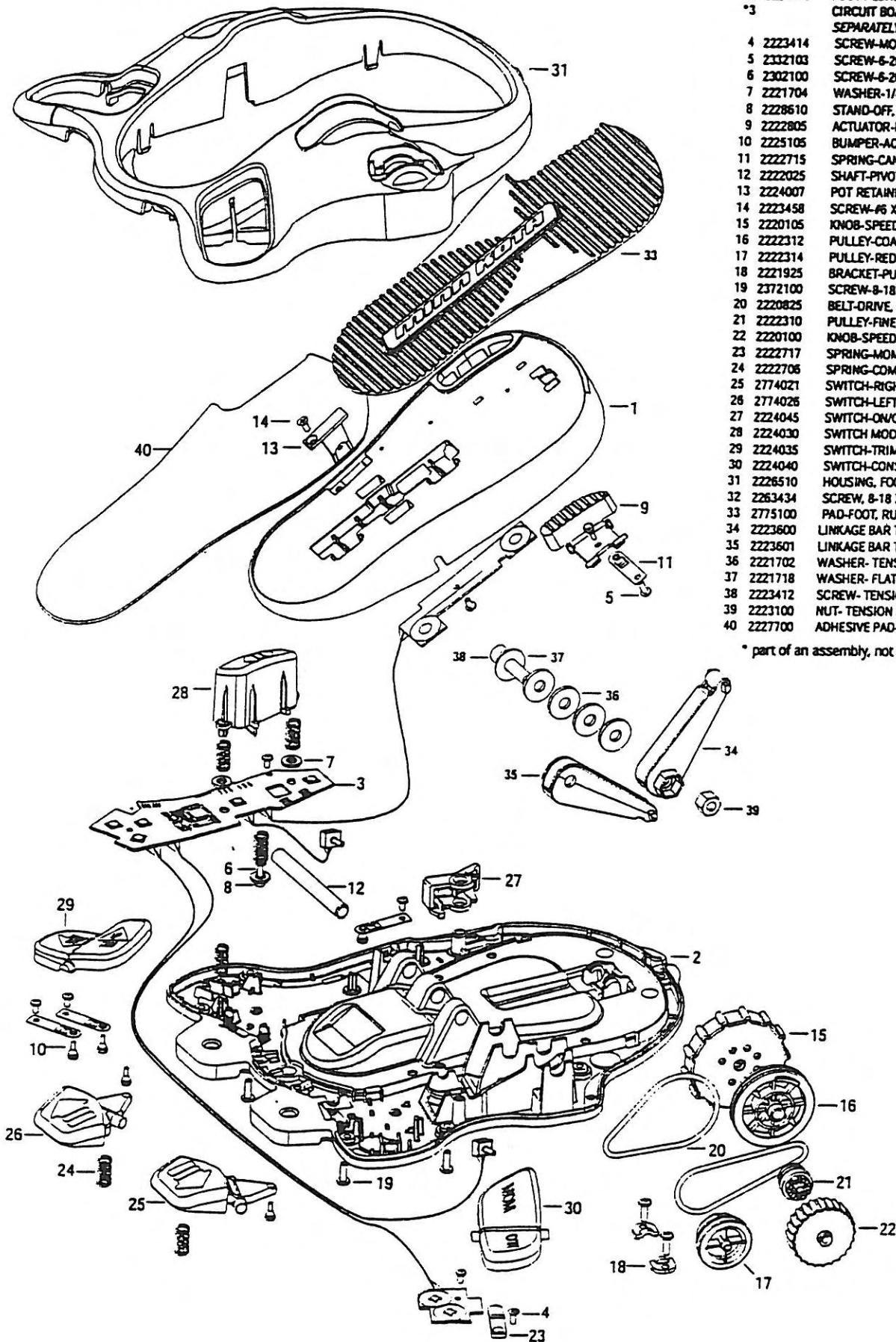
QUICK RELEASE PLATE ASSEMBLY



- 2771895 QUICK RELEASE PLATE ASSEMBLY
- 1 2221931 PLATE-QUICK RELEASE,MACH
- 2 2223605 DRAW BAR, QCK ATTACH PLATE
- 3 2222716 SPRING, COMPRESSION OD
- 4 2223205 STOP, DRAW BAR, QCK ATTACH
- 5 2225110 PAD, URETHANE, QCK ATTACH
- 6 2221714 WASHER, QCK ATTACH PLATE
- 7 2228415 CAM ARM, QCK ATTACH PLATE
- 8 2222614 PIN-ROLLER, CAM SS
- 9 2223452 SCREW-1/4 X 3/4 TYPE AB PFH
- 2994834 BAG ASSEMBLY QCK ATTACH PLATI
- *10 SCREW-1/4-20 X 2" PFH SS [3.EA]
- *11 SCREW-1/4-20 X 2" SS PPH [3.EA]
- *12 NUT-HEX 1/4-20 SS [6.EA]
- *13 WASHER-1/4 FLAT SS [6.EA]

* part of an assembly, not available separately.

FOOT PEDAL - GENESIS

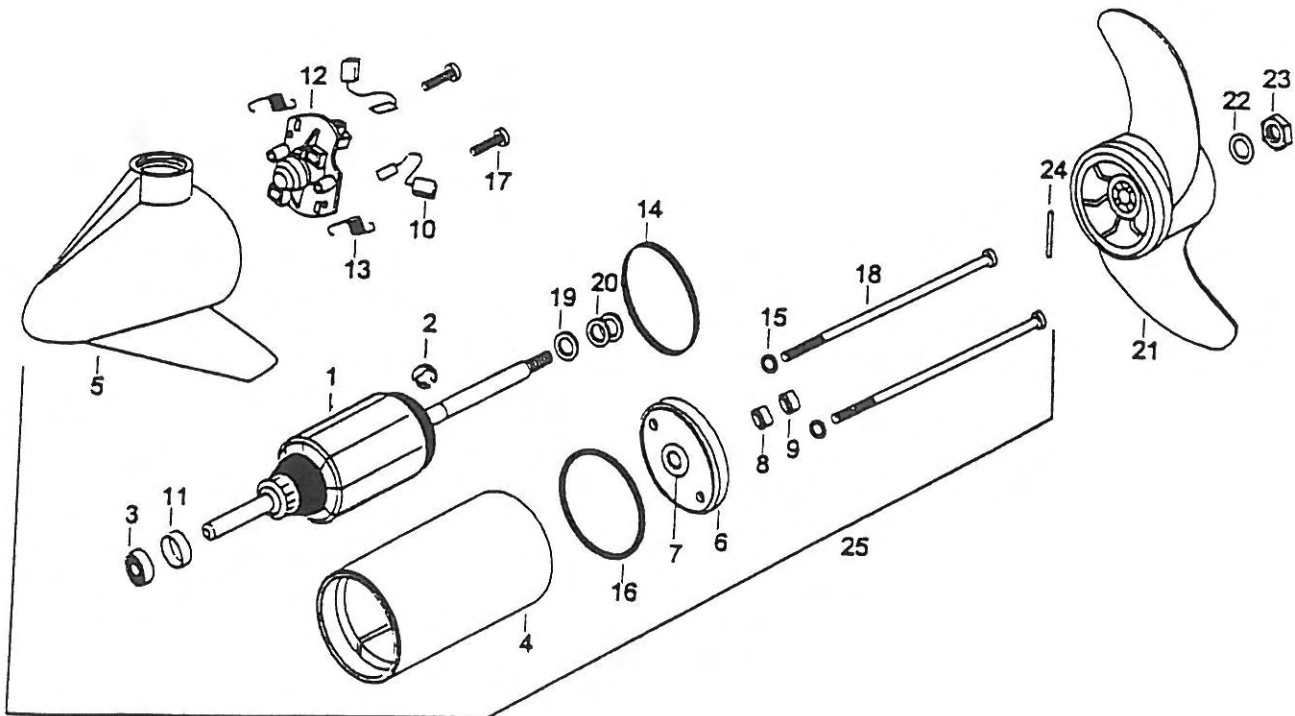


- 2772040 FOOT PEDAL GENESIS ASSEMBLY
- 1 2774403 FOOT PEDAL / PAD / ADHESIVE ASSEMBLY
- 2 2224500 FOOT PEDAL BASE
- *3 CIRCUIT BOARD ASSEMBLY NOT AVAILABLE SEPARATELY- ORDER 2772040
- 4 2223414 SCREW-MOUNTING #6 X 1/4 PH (6.EA)
- 5 2332103 SCREW-6-20 X 3/8 THD SS
- 6 2302100 SCREW-6-20 X 1/2 THD CUT
- 7 2221704 WASHER-1/4" NYLON, FT.PED (3.EA)
- 8 2228610 STAND-OFF, FOOT PEDAL
- 9 2222805 ACTUATOR-MOMENTARY FT. PED.
- 10 2225105 BUMPER-ACTUATOR, RUBBER (6.EA)
- 11 2222715 SPRING-CANTILEVER, FT. PED. (5.EA)
- 12 2222025 SHAFT-PIVOT FT. PEDAL
- 13 2224007 POT RETAINER, FOOT PEDAL
- 14 2223458 SCREW-#6 X 3/8 FHCR SLF TAP (2.EA)
- 15 2220105 KNOB-SPEED CTRL, COARSE ADJ
- 16 2222312 PULLEY-COARSE ADJUST, FT. PED
- 17 2222314 PULLEY-REDUCTION, FT. PED.
- 18 2221925 BRACKET-PULLEY, FOOT PEDAL (2.EA)
- 19 2372100 SCREW-8-18 X 5/8 TED SS (10.EA)
- 20 2220825 BELT-DRIVE, FT. PEDAL (2.EA)
- 21 2222310 PULLEY-FINE ADJUST, FT. PED.
- 22 2220100 KNOB-SPEED CTRL, FINE ADJUST
- 23 2222717 SPRING-MOM/COM, FT. PED.
- 24 2222706 SPRING-COMPRESSION FT. PED (6.EA)
- 25 2774021 SWITCH-RIGHT TURN W/ RUBBER ACTUATOR
- 26 2774026 SWITCH-LEFT TURN W/ RUBBER ACTUATOR
- 27 2224045 SWITCH-ON/OFF MASTER FT. PDL
- 28 2224030 SWITCH MODE SELECT, STOW, DEP
- 29 2224035 SWITCH-TRIM UP/TRIM DWN FT
- 30 2224040 SWITCH-CONSTANT/MOMENTARY HOUSING, FOOT PEDAL
- 31 2226510 SCREW, 8-18 X 1" PPH SS (NOT SHOWN)
- 32 2263434 PAD-FOOT, RUBBER W/ ADHESIVE PAD
- 33 2775100 LINKAGE BAR TENSION ADJUST
- 34 2223600 LINKAGE BAR TENSION ADJUST
- 35 2223601 WASHER- TENSION RUBBER (4.EA)
- 36 2221702 WASHER- FLAT 5/16X7/8 SS
- 37 2221718 SCREW- TENSION 5/16-18 SS
- 38 2223412 NUT- TENSION 5/16-18 SS
- 39 2223100 ADHESIVE PAD- FOOT PEDAL
- 40 2227700

* part of an assembly, not available separately.

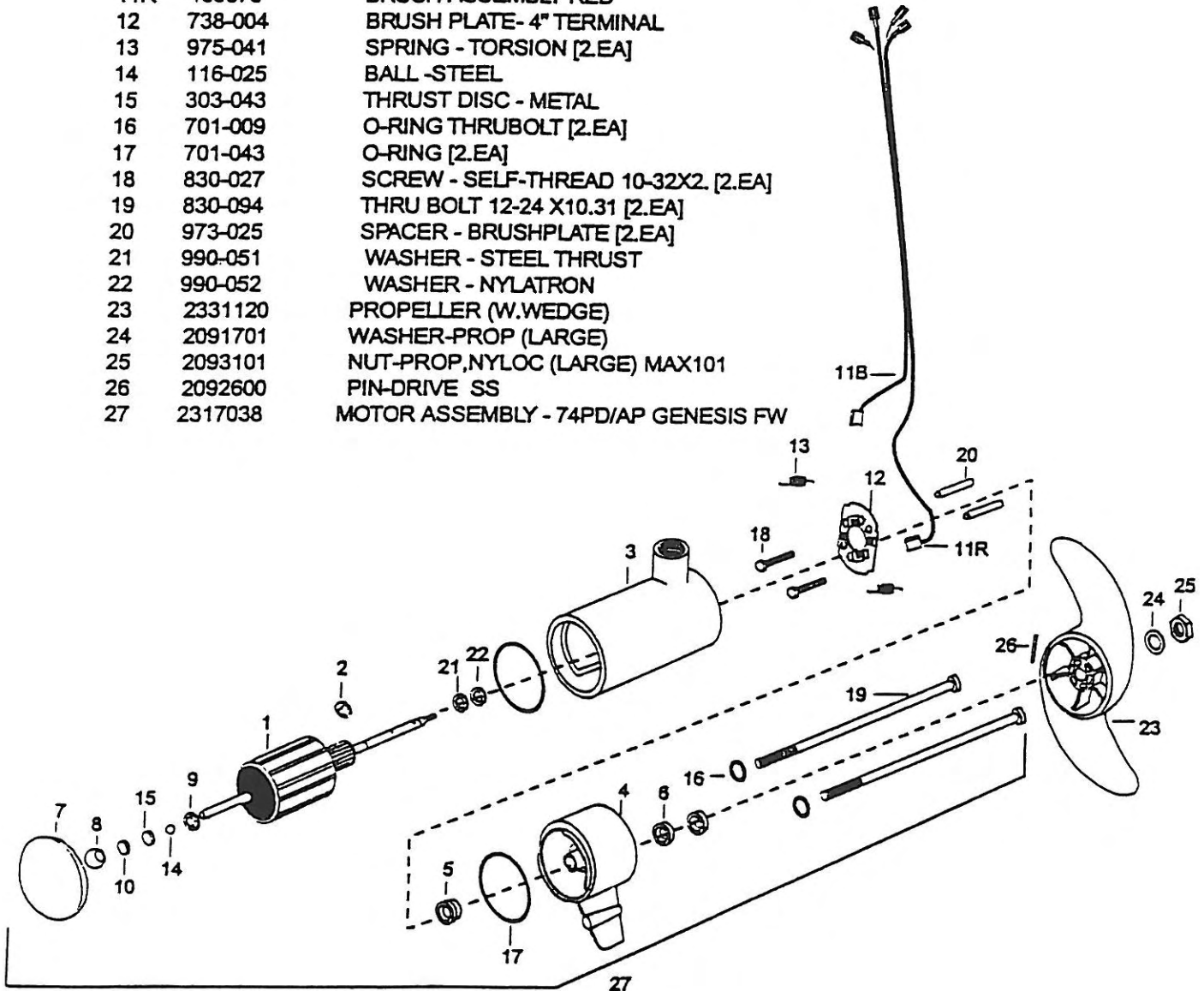
Genesis 55 – 12 volt lower unit assembly

1	2-100-013	ARMATURE ASSEMBLY
2	788-015	RETAINING RING
3	140-010	BEARING - BALL
4	431-101	HOUSING ASSEMBLY CTR 3.62 TXT
5	421-065	HOUSING BRUSH END 3.62 TXT
6	2-400-101	PLAIN END HOUSING ASSEMBLY 3.625
7	144-049	BEARING - FLANGE
8	880-003	SEAL
9	880-006	SEAL WITH SHIELD
10	188-036	BRUSH ASSEMBLY [2.EA]
11	725-050	PAPER TUBE - BRUSH RETENTION
12	738-036	BRUSH PLATE WITH HOLDER
13	975-040	SPRING - TORSION [2.EA]
14	337-036	GASKET
15	701-008	O-RING [2.EA]
16	701-081	O-RING
17	830-007	#8-32 SCREW [2.EA]
18	830-042	THRU BOLT 10-32 X 8.83 [2.EA]
19	990-067	WASHER - STEEL THRUST
20	990-070	WASHER - NYLATRON [2.EA]
21	2091150	PROPELLER W/WEDGE
22	2151726	WASHER 5/16 STD SS
23	2053130	NUT-PROP NYLOC 5/16 SS
24	2092600	PIN-DRIVE SS
25	2099090	MOTOR ASSEMBLY - 55PD/AP GENESIS FW



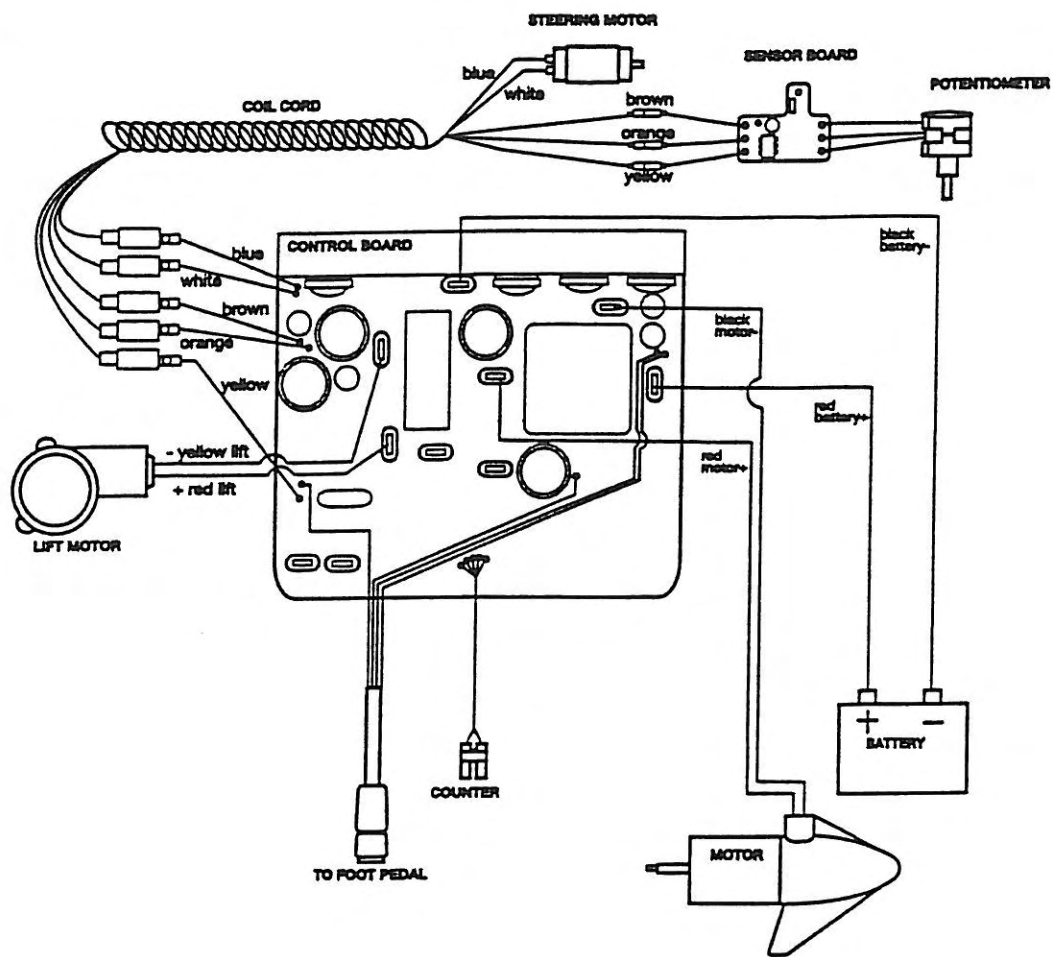
Genesis 74 – 24 volt lower unit assembly

- | | | |
|-----|-----------|-------------------------------------|
| 1 | 2-100-103 | ARM ASSY 24V 4" |
| 2 | 788-040 | RETAINING RING |
| 3 | 431-160 | HOUSING ASSEMBLY CTR 4.0TXT |
| 4 | 2-300-160 | BRUSH END HOUSING ASSEMBLY |
| 5 | 144-017 | BEARING - FLANGE |
| 6 | 880-025 | SEAL [2.EA] |
| 7 | 2-400-160 | PLAIN END HOUSING ASSEMBLY |
| 8 | 144-021 | BEARING - SPHERICAL |
| 9 | 784-025 | BEARING RETAINER |
| 10 | 991-040 | WASHER - FELT |
| 11B | 409074 | BRUSH ASSEMBLY BLACK |
| 11R | 409073 | BRUSH ASSEMBLY RED |
| 12 | 738-004 | BRUSH PLATE- 4" TERMINAL |
| 13 | 975-041 | SPRING - TORSION [2.EA] |
| 14 | 116-025 | BALL -STEEL |
| 15 | 303-043 | THRUST DISC - METAL |
| 16 | 701-009 | O-RING THRUBOLT [2.EA] |
| 17 | 701-043 | O-RING [2.EA] |
| 18 | 830-027 | SCREW - SELF-THREAD 10-32X2 [2.EA] |
| 19 | 830-094 | THRU BOLT 12-24 X10.31 [2.EA] |
| 20 | 973-025 | SPACER - BRUSHPLATE [2.EA] |
| 21 | 990-051 | WASHER - STEEL THRUST |
| 22 | 990-052 | WASHER - NYLATRON |
| 23 | 2331120 | PROPELLER (W.WEDGE) |
| 24 | 2091701 | WASHER-PROP (LARGE) |
| 25 | 2093101 | NUT-PROP,NYLOC (LARGE) MAX101 |
| 26 | 2092600 | PIN-DRIVE SS |
| 27 | 2317038 | MOTOR ASSEMBLY - 74PD/AP GENESIS FW |

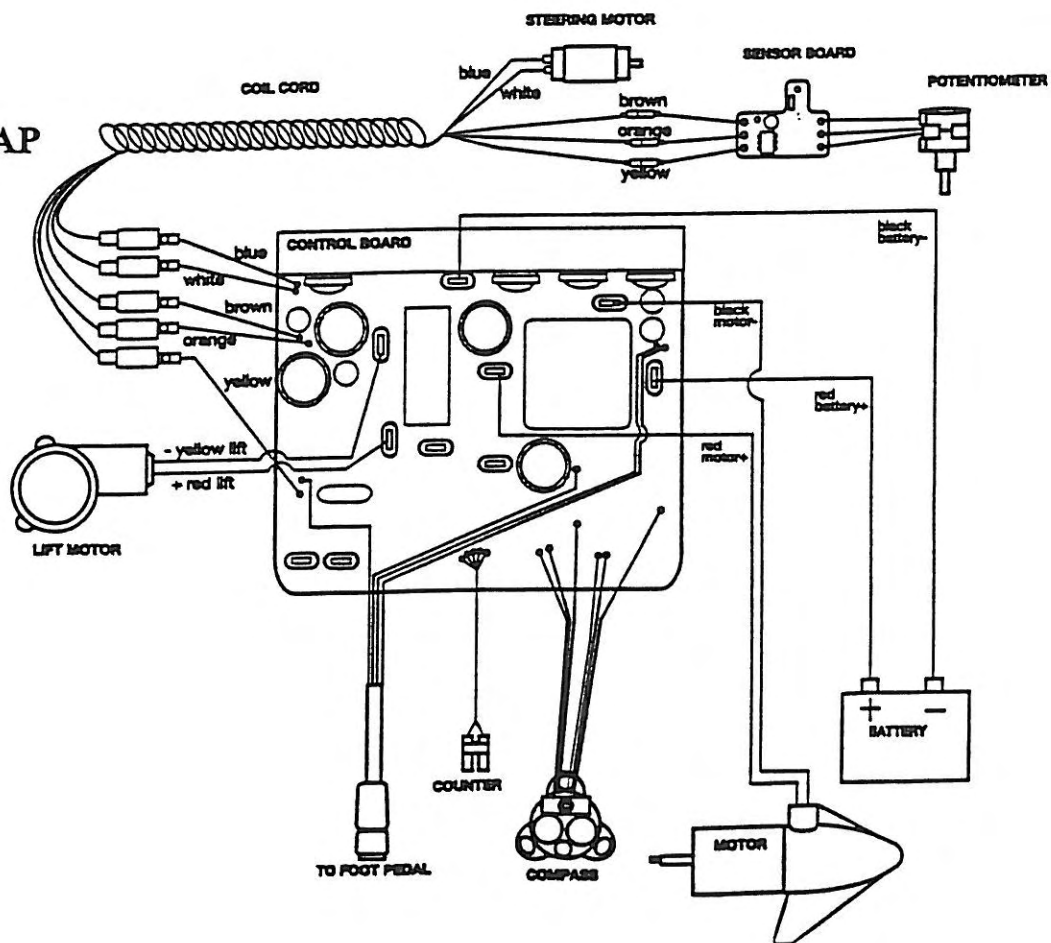


Genesis Series Wiring Diagrams

G55

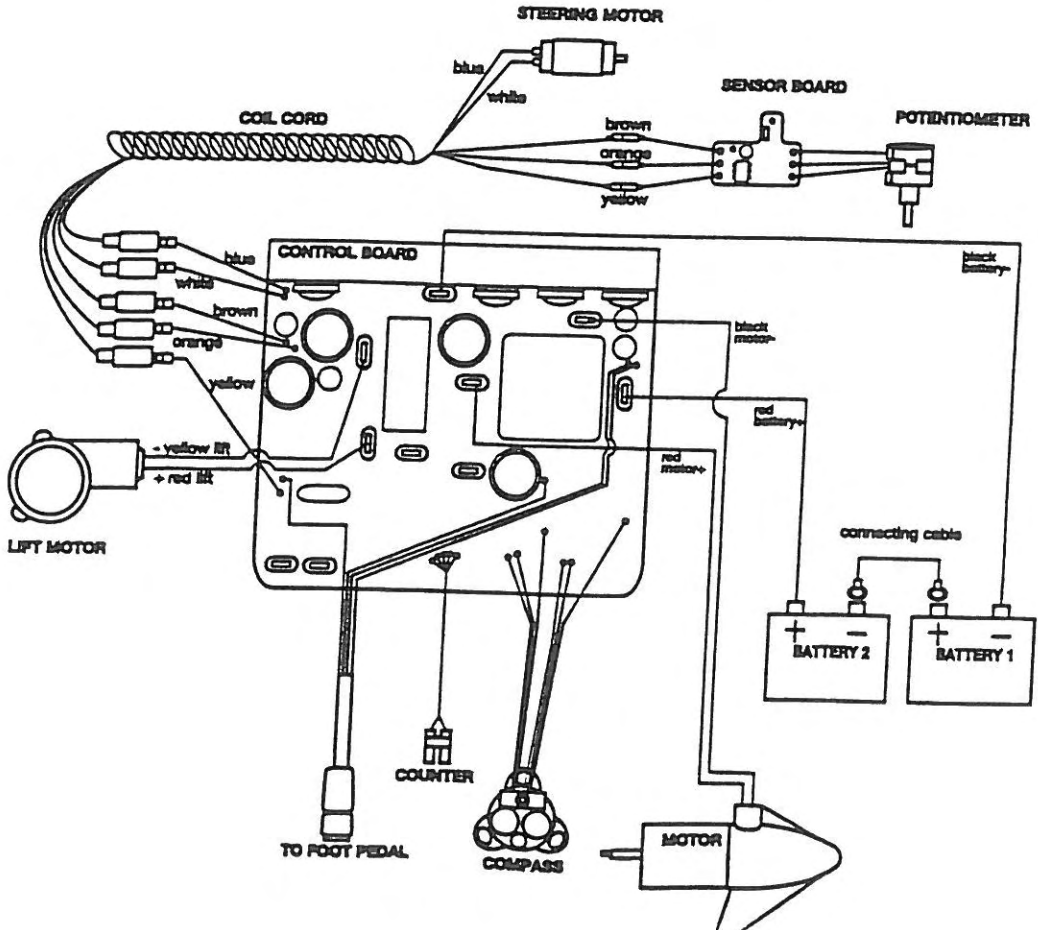
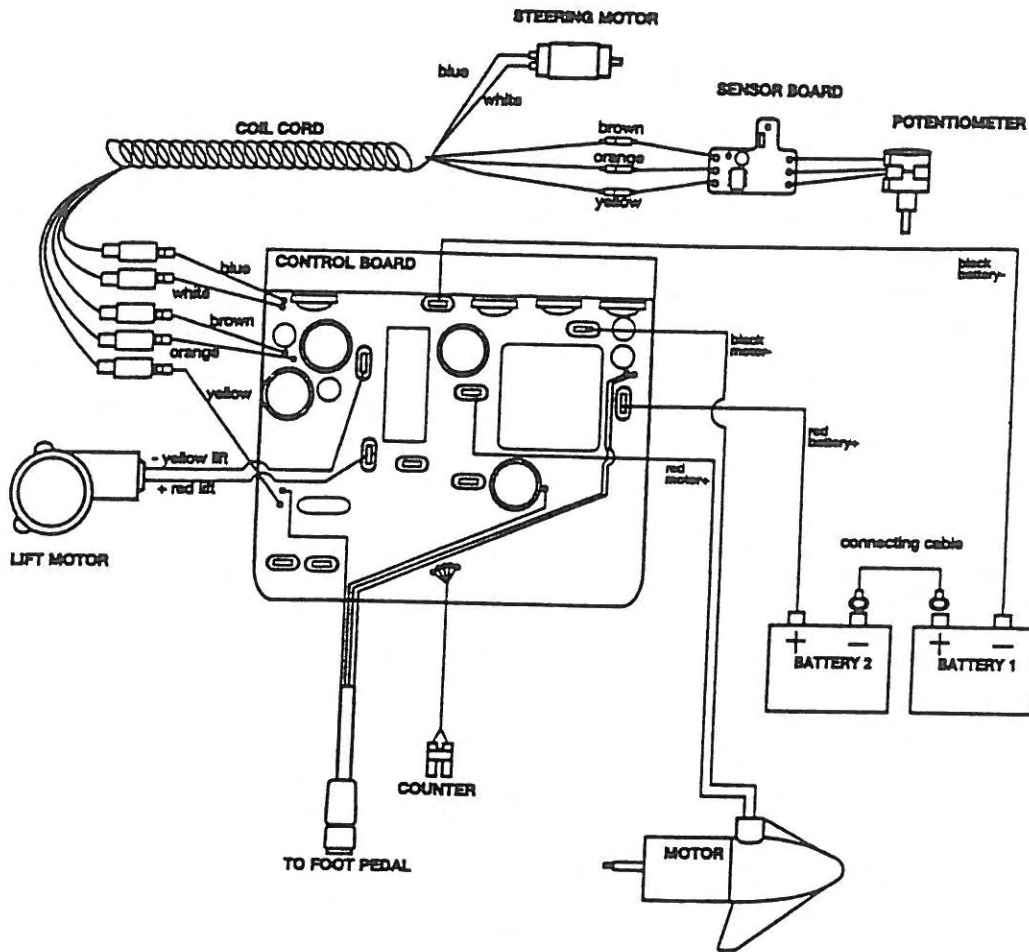


G55/AP



Genesis Series Wiring Diagrams

G74



G74/AP