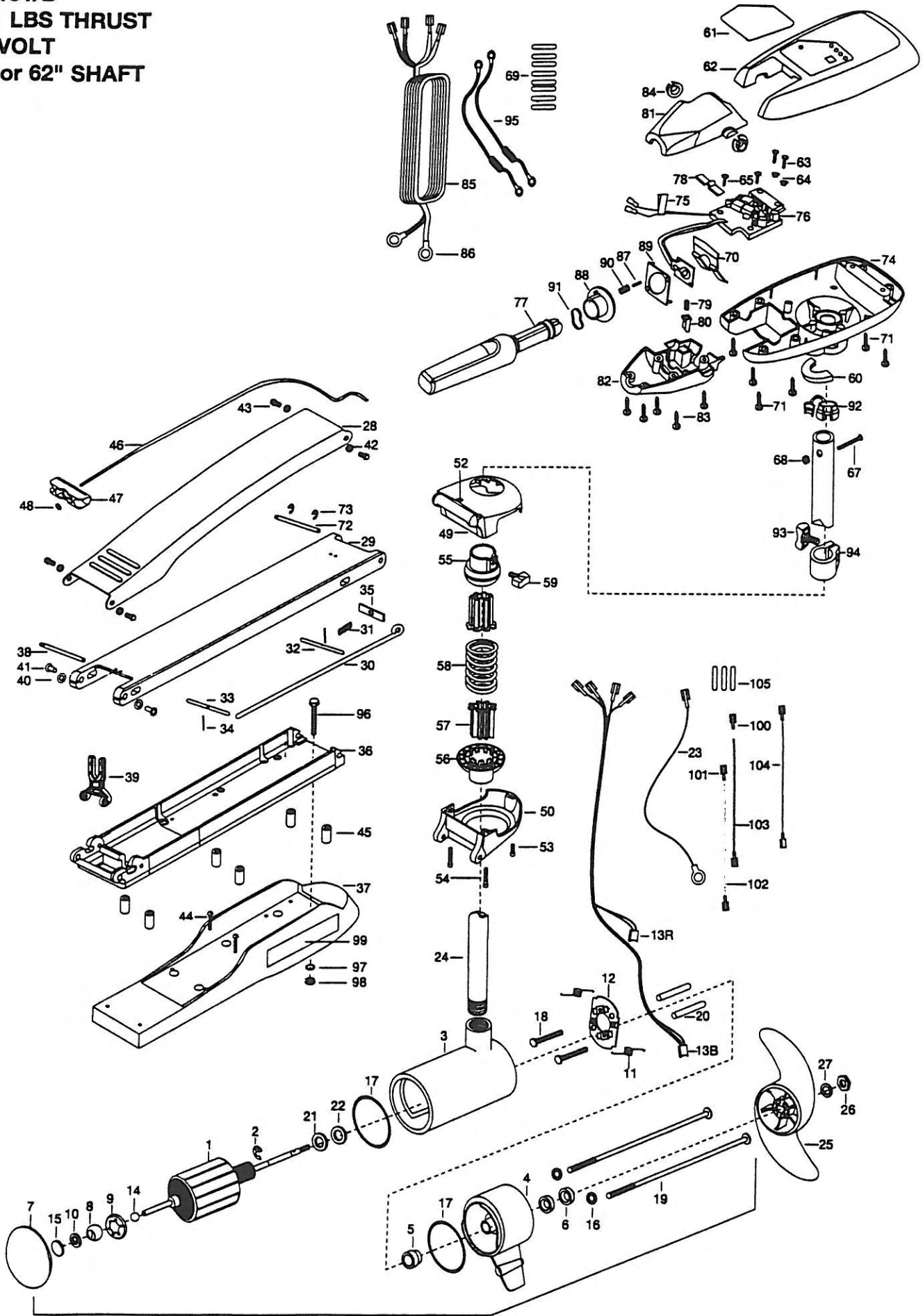


RT101/B
101 LBS THRUST
36 VOLT
52" or 62" SHAFT



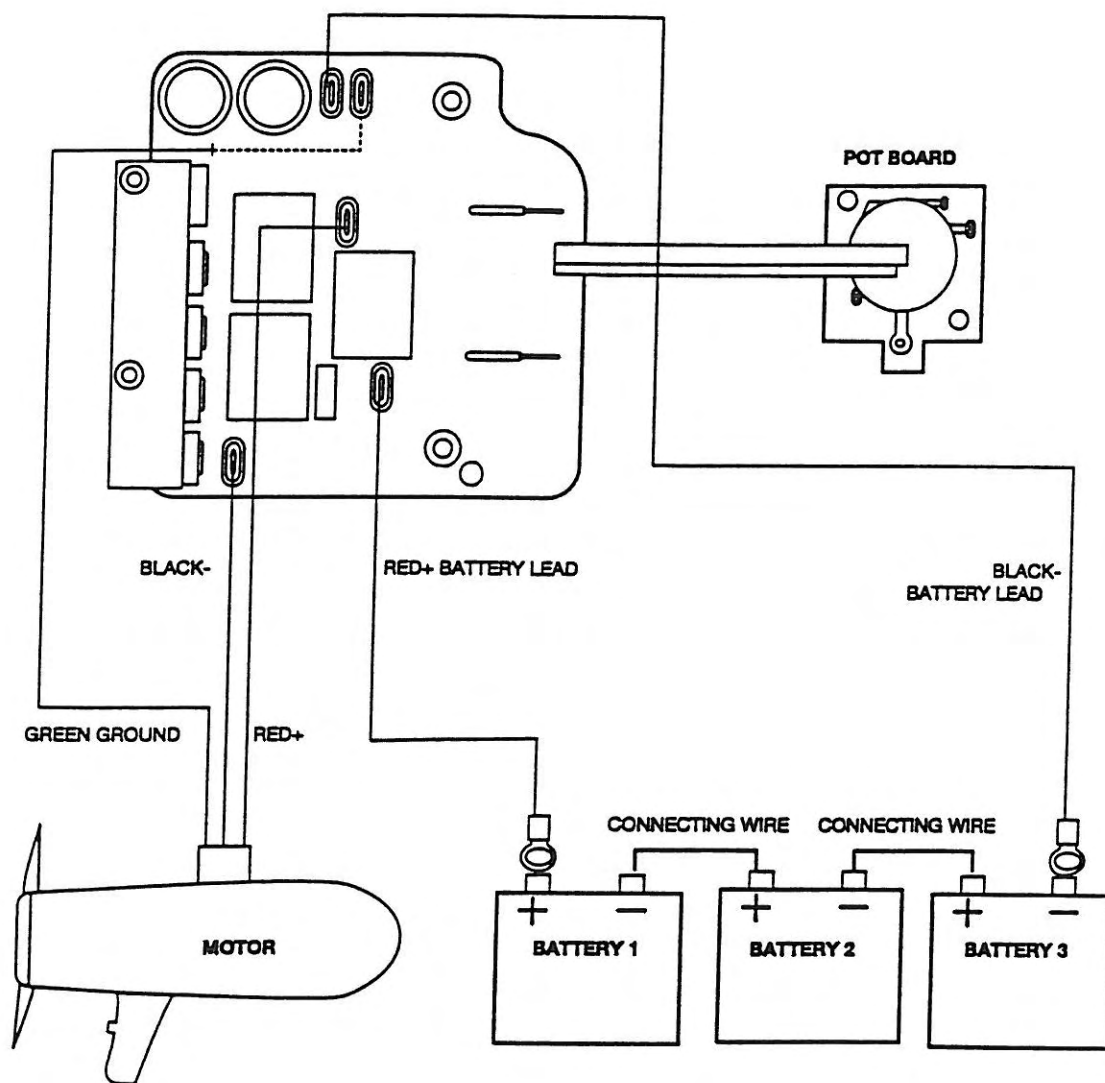
1	2-100-110	ARMATURE ASSEMBLY 36V VARS SW 57.5	33	2233603	LOCK BAR, REAR - SS	72	2260512	HINGE PIN (MAX, A/T) SS
2	788-040	RETAINING RING	34	2152610	SPRING-PIN (LOCKEAR) [2.EA]	73	2263011	E-RING 3/8 DIA. SHAFT [2.EA]
3	431-111	HOUSING ASSEMBLY- CENTER 4.0 TXT	35	2262703	SPRING STOP	74	2062587	CONTROL BOX, SW, .725 BORE,
4	2-300-013	BRUSH END HOUSING ASSEMBLY	36	2773981	BOWPLATE/INSRT ASSEMBLY, STD	75	2305810	TAG-AIR SWITCH LEADS
5	144-017	BEARING -FLANGE (SERVICE ONLY)		2773980	BOWPLATE/INSRT ASSEMBLY, LG- 62"	76	2264013	CTRL BOARD ASSEMBLY-RT 101
6	880-025	SEAL [2.EA]	37	2999268	MOTOR REST ASSEMBLY STD-SW	77	2990915	HANDLE ASSEMBLY W/O U-JOINT
7	2-400-112	PLAIN END HOUSING ASSEMBLY		2999267	MOTOR REST ASSEMBLY LONG-SW-62"	78	2302742	SPRING-DETENT (OFF) SS
8	144-021	BEARING -SPHERICAL	38	2260505	PIN-HINGE (HEADLESS) S/S	79	2302745	SPRING-RELEASE BUTTON SS
9	784-025	BEARING RETAINER	39	2293811	YOKE, MAX MNT-POLYPROPYLENE	80	2303720	RELEASE BUTTON-HANDLE
10	991-040	WASHER FELT	40	2261707	WASHER-3/8' X1/2' X .016 [2.EA]	81	2060411	HANDLE (TOP HALF)MAXXUM
11	975-041	SPRING -TORSION [2.EA]	41	2236000	BEARING NYLINER [2.EA]	82	2060415	HANDLE (LOWER HALF)
12	738-004	BRUSH PLATE -4" TERMINAL	42	2293501	BUSHING, STAINLESS STEEL [4.EA]	83	2303412	SCREW-6-20 X 5/8 SELF TAP [5.EA]
13R	409071	BRUSH / RED WIRE	43	2263500	BOLT, SHOULDER (MAXXUM) [4.EA]	84	2060005	BEARING-HANDLE PIVOT [2.EA]
13B	409072	BRUSH / BLACK WIRE	44	2263434	SCREW, 8-18 K 1" PPH S/S [2.EA]	85	2090600	LEADWIRE (10 GA) RINGS
14	116-025	BALL -STEEL	45	2281505	SPACER, MOTOR REST [6.EA]	86	2020700	TERMINAL RING, 3/8 [2.EA]
15	303-043	THRUST DISC- METAL	46	2251601	ROPE (40'), MAXXUM MOUNT	87	2302600	PIN-ACTUATOR
16	701-009	O-RING -THRU BOLT [2.EA]	47	2150400	PULL-GRIP	88	2302850	ACTUATOR-CAM
17	701-043	O-RING [2.EA]	48	2151700	WASHER-EYE SHAFT (.562 OD)	89	2302851	ACTUATOR-FWD/REV
18	830-027	SCREW -SELF THREADED 10-32 X 2"[2.EA]		2771946	BOWGUARD ASSEMBLY, SW, STD, H.CT	90	2302740	SPRING- (ACTUATOR)
19	830-096	THRU BOLT 12-24 X 11.56" SS [2.EA]	49	2991978	BRKT BASE TOP/INST SW	91	2302741	SPRING-CAM (ZNC PLTD STEEL)
20	973-025	SPACER -BRUSH PLATE [2.EA]	50	2991979	BRKT BTM/BEARING SW	92	2052900	STRAIN RELIEF-C.CORD/SP.C
21	990-051	WASHER-THRUST, STEEL	52	2232351	EYELET-ROPE	93	2011366	SCREW-COLLAR/NEW KNOB SS
22	990-052	WASHER- NYLATRON	53	9954533	SCREW-1/4-20 K 3/4 SS	94	2031520	COLLAR-DEPTH (W/O INSERT)
23	630-077	GROUND WIRE - GREEN	54	2263404	SCREW-1/4-20X2 1/4 SCHP SS [2.EA]	95	2998200	CIRCUIT BREAKER ASSEMBLY, 36V [2.EA]
	2317052	MOTOR ASSEMBLY 36V VARS SW		2884701	SLEEVE/INSERT KIT (INCL. 55, 56, 57)		2994830	BAG ASSEMBLY-MAXXUM INCL. 96, 97, 98
24	2032081	TUBE-CARBON COMPOSITE 52"	*55	2261525	SPRING-SLEEVE UPPER	*96	2263431	SCREW 1/4-20 K 3.5 PPH [6.EA]
	2032080	TUBE-CARBON COMPOSITE 62"	*56	2261535	SPRING SLEEVE, LOWER	*97	2261713	WASHER-1/4 FLAT S/S [6.EA]
	1378130	PROPELLER KIT INCL. 25, 26, 106	*57	2264702	INSERT-TUBE (2 PER) B.MNT	*98	2263103	NUT-1/4-20 NYLOCK-JAM S/S [6.EA]
*25	2331130	PROPELLER-WEEDLESS WEDGE	58	2262705	SPRING, BOWGUARD, SS	99	2065675	DECAL- RT MOTOR REST [2.EA]
*26	2093101	NUT-PROP, NYLOC (LARGE)	59	2011366	SCREW-COLLAR/NEW KNOB SS		2994833	BAG ASSEMBLY, MAX STABILIZER KIT
*27	2091701	WASHER-PROP LARGE	60	2061513	COLLAR-CTRL BOX (SLT-WTR)	*	2268400	SHAFT- SUPPORT
	2771944	MOUNT, BOW ASSEMBLY, SW STD	61	2195633	DECAL-COVER, RT101/B	*	2268401	BUMPER- SHAFT
	2771920	MOUNT, BOW ASSEMBLY, SW LG- 62"	62	2300227	CONTROL BOX CVR (SW)	*	2263465	SCREW 1/4-10 X 1" ZP PLASTITE
28	2264208	ARM-UPPER STD SW TEXTURED	63	2301310	SCREW-8-18 X 1/2 SS [2.EA]	*	2261716	WASHER - CONICAL SS 1D.28
	2264218	ARM-UPPER LONG SW TEXTURED-62"	64	2301710	WASHER-INSUL. (TRANSF.BAR) [2.EA]			
29	2774320	ARM-LOWER ASSEMBLY, STD, SW, EX/TH	65	2372100	SCREW-8-18 X 5/8 THDT SS [2.EA]			
	2774319	ARM-LOWER ASSEMBLY, LG, SW, EX/TH -62"	67	2263406	SCREW-10-24 X 2 SS			
30	2153603	EYE SHAFT-2LOCKBAR STD	68	2333101	NUT-10-24 NYLOCK SS	100	2030710	CONNECTOR BUTT [2.EA]
	2153605	EYE SHAFT-2LOCKBAR LONG- 62"	69	2305400	SHRINK TUBE-3/8 OD [8.EA]	101	2030711	CONNECTOR BUTT
31	2152701	SPRING-(LOCKBAR) SS	70	2302743	SPRING-DETENT (HANDLE-TILT)	102	2030317	WIRE EXTENSION 18" RED
32	2233601	LOCKBAR SS (NEW 500)	71	2303412	SCREW-6-20 X 5/8 SELF TAP [6.EA]	103	2030316	WIRE EXTENSION 18" BLACK
						104	2030315	WIRE EXTENSION 18" GREEN
						105	2375400	SHRINK TUBE 1/4 X 1-3/4" [3.EA]

62" SHAFT ONLY

* This item is part of an assembly. This item cannot be sold separately due to machining and /or assembly that is required.

RipTide Bowmount Series Wiring Diagrams

RT101/B
36-volt



Note:

If you experience depth finder interference, attach the green motor ground wire to the control board ground as shown.

Do NOT use the crank battery as one of the three supply batteries. Using the crank battery as one of the supply batteries will cause corrosion damage to the trolling motor, and **VOID the Warranty!**