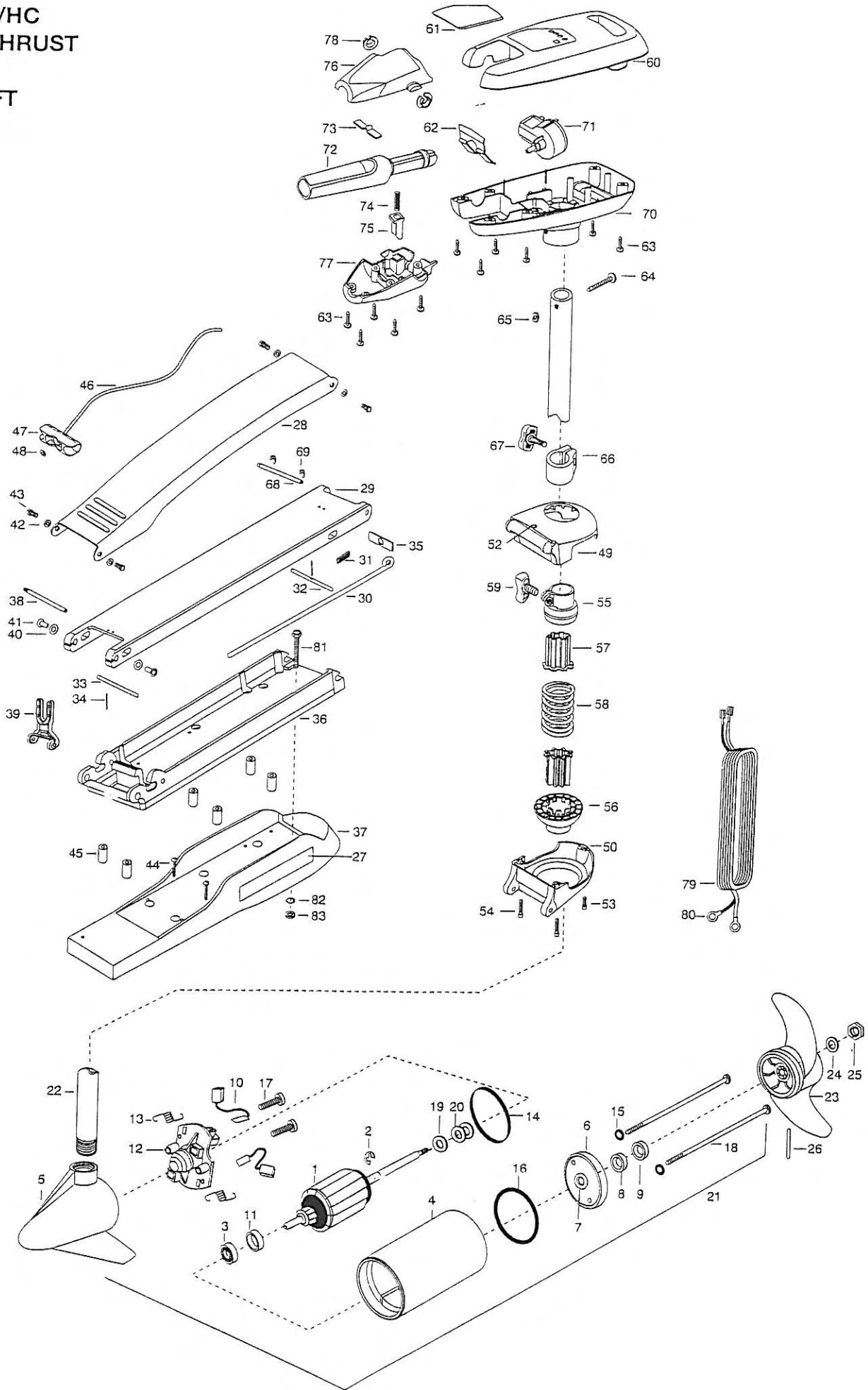


RT65/SC/HC
65 LBS THRUST
24 VOLT
42" SHAFT



1	2-100-098	ARMATURE ASSEMBLY 24V 3.625 SW	■	2771945	MOUNT, BOW ASSEMBLY, SW STD	*55	2261525	SPRING-SLEEVE UPPER
2	788-015	RETAINING RING	28	2264208	ARM-UPPER SW	*56	2261535	SPRING SLEEVE, LOWER
3	140-010	BEARING-BALL	29	2774308	ARM-LOWER ASSEMBLY, STD, SW, EX/M	*57	2264702	INSERT-TUBE BOWMNT [2.EA]
4	431-004	HOUSING ASSEMBLY CENTER 3.62 SW HG	30	2153603	EYE SHAFT-2LOCKEAR STD	58	2262705	SPRING, BOWGUARD, SS
5	2-300-064	HOUSING-BRUSH END	31	2152701	SPRING-(LOCKBAR) SS [2.EA]	59	2011366	SCREW-COLLAR/NEW KNOB SS
6	2-400-092	PLAIN END HOUSING ASSEMBLY	32	2233601	LOCKBAR SS (NEW 500)	60	2060263	COVER-CTRL BOX
7	144-049	BEARING-FLANGE [SERVICE ONLY]	33	2233603	LOCK BAR, REAR-SS	61	2195641	DECAL-COVER RT65/SC
8	880-003	SEAL	34	2152610	SPRING-PIN (LOCKBAR)	62	2302743	SPRING-DETENT (HANDLE-TILT)
9	880-006	SEAL WITH SHIELD	35	2262703	SPRING STOP	63	2303412	SCREW-6-20 X 5/8 SELF TAP [11.EA]
10	188-036	BRUSH ASSEMBLY [2. EA]	36	2773981	BOWPLATE/INSRT ASSEMBLY, STD	64	2332102	SCREW-10-24 X 1-3/4 SS
11	725-050	PAPER TUBE-BRUSH RETENTION	37	2263912	MOTOR REST	65	2333101	NUT-HEX SS NYLOC
12	738-036	BRUSH PLATE W/HOLDER	38	2260505	PIN-HINGE (HEADLESS) SS	66	2031520	COLLAR-DEPTH (W/O INSERT)
13	975-040	SPRING-TORSION [2. EA]	39	2293811	YOKE, MAX MNT-POLYPROPYLE	67	2011366	SCREW-COLLAR/NEW KNOB SS
14	337-036	GASKET	40	2261707	WASHER-3/8 X 1/2 X .016 SS [2.EA]	68	2260512	HINGE PIN (MAX, A/T) SS
15	701-008	O-RING [2. EA]	41	2236000	BEARING NYLINER- [2.EA]	69	2263011	E-RING 3/8 DIA. SHAFT [2.EA]
16	701-081	O-RING	42	2293501	BUSHING, STAINLESS STEEL [4.EA]	70	2062551	CONTROL BOX PLAS W/HAND
17	830-007	SCREW # 8-32 [2.EA]	43	2263500	BOLT, SHOULDER (MAXXUM) [4.EA]	71	2064023	SWITCH-FWD/REV 5 SP
18	830-008	THRU BOLT 10-32 X 8.83 [2. EA]	44	2263434	SCREW, 8-18 X 1 PPH SS [2.EA]	72	2990911	HANDLE ASSEMBLY-W/U-JOINT SS
19	990-067	WASHER-STEEL THRUST	45	2261505	SPACER, MOTOR REST [6.EA]	73	2302742	SPRING-DETENT (OFF) SS
20	990-070	WASHER-NYLATRON [2. EA]	46	2251601	ROPE (40*), MAXXUM MOUNT	74	2302745	SPRING-RELEASE BUTTON SS
21	2098035	MOTOR ASSEMBLY 24V 3.625 SW 5SPC	47	2150400	PULL-GRIP (RAW)	75	2303720	RELEASE BUTTON-HANDLE
22	2032058	TUBE (COMPOSITE) 42"	48	2151700	WASHER-EYE SHAFT(.562 OD)	76	2060410	HANDLE (TOP HALF)
■	1378122	PROPELLER KIT	■	2771946	BOWGUARD ASSEMBLY, SW, 5SPD	77	2060415	HANDLE (LOWER HALF)
23	2091150	PROPELLER-WEEDLESS WEDGE	49	2991978	BRKT BASE TOP/INSERT ASSEMBLY	78	2060005	BEARING-HANDLE PIVOT [2.EA]
24	2151726	WASHER-5/16 STD SS	50	2991979	BRKT BTTM/BEARING SW	79	2090600	LEADWIRE (10 GA) RINGS
25	2053101	NUT-PROP NYLOC (MEDIUM)	52	2232351	EYELET-ROPE	80	2020700	TERMINAL RING, 3/8 [2.EA]
26	2092600	PIN-DRIVE SS	53	9954533	SCREW-1/4-20 X 3/4 SS	■	2994830	BAG ASSEMBLY-MAXXUM
27	2065675	DECAL-RT MOTOR REST [2. EA]	54	2263404	SCREW-1/4-20 X 2 1/4 [2.EA]	*81	2263431	SCREW 1/4-20 X 3.5 PPH [6.EA]
■	2771944	BOWMOUNT ASMBLY W/BGRD HINGE COMPLETE	■	2884701	SLEEVE/INSERT KIT	*82	2261713	WASHER-1/4 FLAT S/S [6.EA]
						*83	2263103	NUT-1/4-20 NYLOCK-JAM SS [6.EA]

* This item is part of an assembly. This item cannot be sold separately due to machining and /or assembly that is required.

