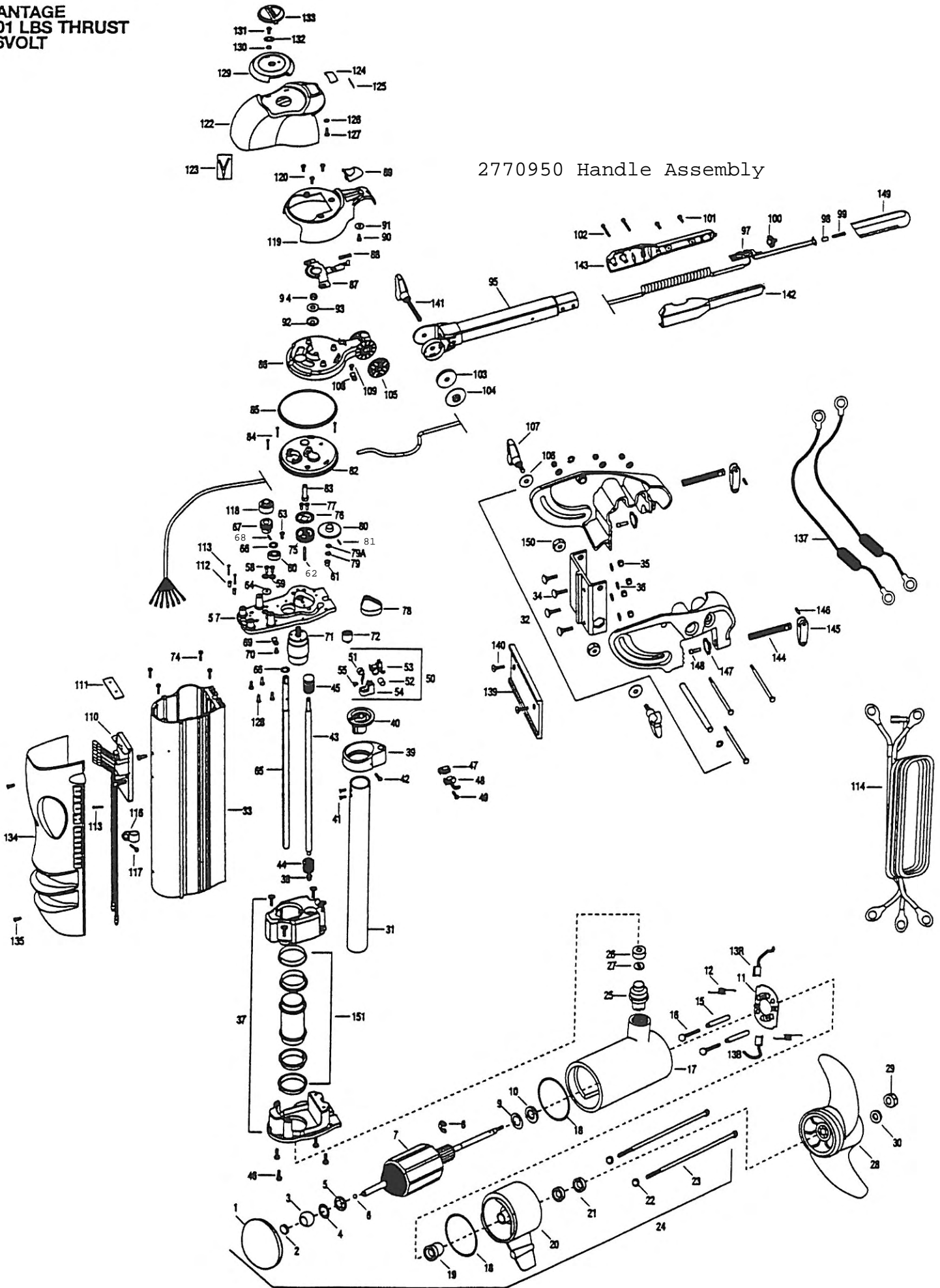


VANTAGE
101 LBS THRUST
36VOLT

2770950 Handle Assembly

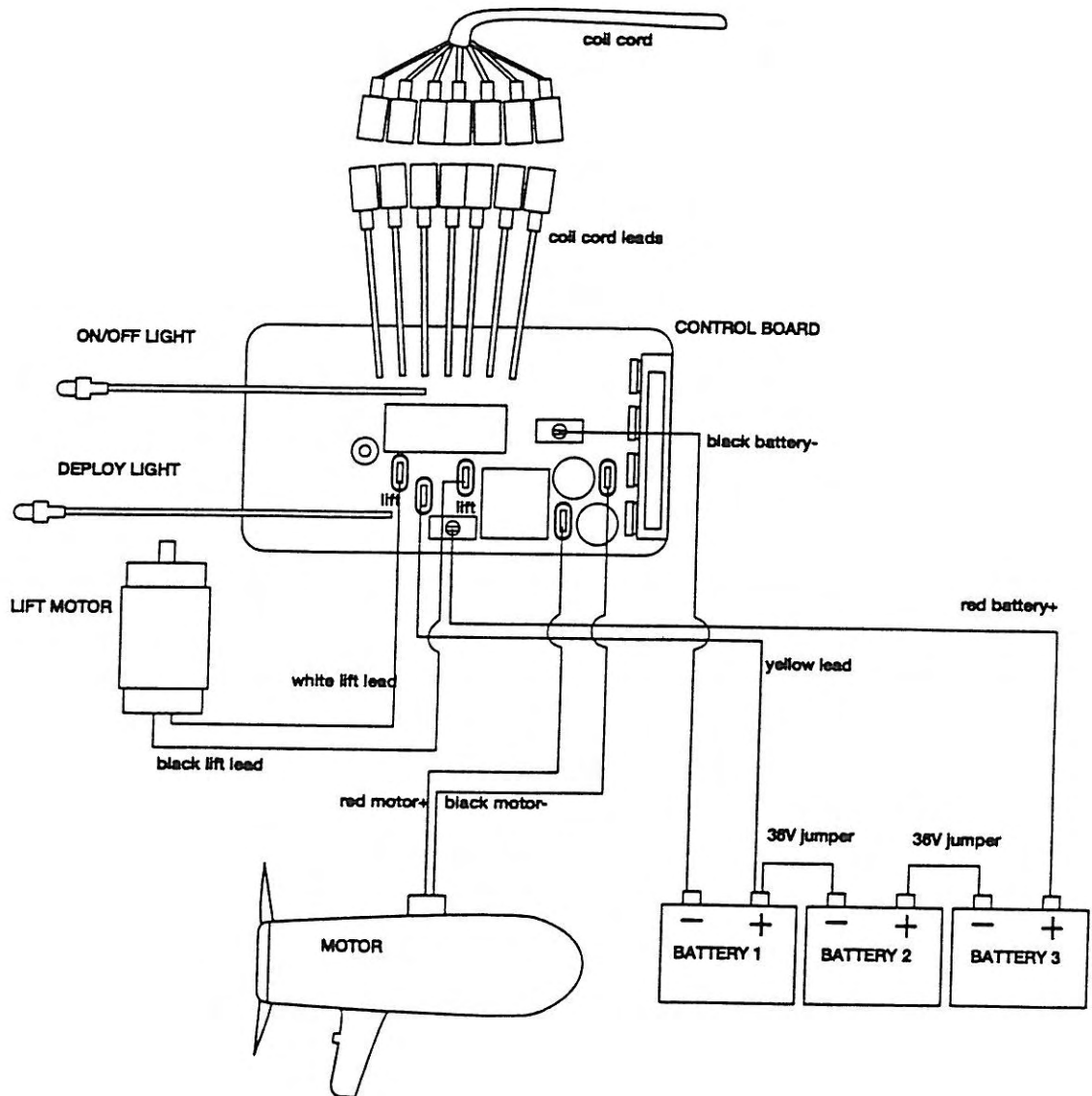


1	2-400-160	PLAIN END HOUSING ASSEMBLY	54	2052305	WIRE GUIDE (VANTAGE)	*103	2051738	WASHER-URETHN,ID.4 X OD 1
2	303-043	THRUST DISC- METAL	55	2053418	SCREW-#4-40X1/4 TYPE F,PPH	*104	2053115	NUT-WASHER, HANDLE ASSEMBLY
3	144-021	BEARING -SPHERICAL	■	2770405	TOP PLATE ASSEMBLY INCL.57,60,61,68	*105	2050015	RACHET-DISK, HANDLE ASSEMBLY
4	991-040	WASHER FELT	*57	2051900	TOP PLATE, VANTAGE	■	2880920	BRACKET TENSION HANDLE KIT
5	784-025	BEARING RETAINER	58	2053414	SCREW-#8-32 X 1/2 TRI-LOBE[2.EA]			INCL. 106,107,150
6	116-025	BALL -STEEL	59	2051717	WASHER-#8 SAE FLAT ZNK PLT [2.EA]	*106	2051737	WASHER-FLAT,ID.406 X OD.8
7	2-100-110	ARMATURE ASSEMBLY	*60	2057308	BEARING-BALL (VANTAGE)	*107	2050920	HANDLE, TENSION, SHORT
8	788-040	RETAINING RING	*61	2057302	BEARING-UPPER, LIFT SCREW	108	2052511	CABLE CLAMP, 1/4" VANTAGE [2.EA]
9	990-051	WASHER-THRUST, STEEL	*62	2052630	PIN, CLUSTER GEAR	109	2053415	SCREW-#8-32 X 3/8" TRI-LB[3.EA]
10	990-052	WASHER- NYLATRON	63	2053415	SCREW-#8-32 X 3/8 TRI-LOBE P	*110	2774030	CNTRL BRD ASSY 24/36V W/PAD INCL.111
■	2-600-144	BRUSH/WIRE/PLATE ASSEMBLY INCL.11-13	64	2051716	WASHER-FENDER #10	*111	2315105	INSULATING PAD
*11	738-004	BRUSH PLATE 4" TERMINAL	65	2052000	SHAFT-STEERING, VANTAGE	112	2261712	SHOULDER WASHER [2.EA]
*12	975-041	SPRING -TORSION [2.EA]	66	2051706	WASHER-SPRING SUPPORT[2.EA]	113	2053407	SCREW-#8-32 X .75 PPH[3.EA]
*13R	409071	BRUSH W/RED LEADWIRE	67	2052205	GEAR, STEERING TUBE MACHINED	114	2051220	LEADWIRE,24/36V,3 CONDUCT
*13B	409072	BRUSH W/BLK LEADWIRE	68	2052615	PIN-DRIV-LOK 1/8 X 1 1/8	116	2052512	CABLE CLAMP, 1/2" VANTAGE
15	973-025	SPACER -BRUSH PLATE [2.EA]	69	2052510	CABLE CLAMP, 3/16" VANTAGE	117	2053415	SCREW-#8-32 X 3/8" TRI-LOBE P
16	830-027	SCREW -SELF THREADED 10-32 X 2" [2.EA]	70	2053415	SCREW-#8-32 X 3/8 TRI-LOBE P	118	2052210	ROLLER-STEERING SHAFT
17	431-110	HOUSING ASSEMBLY- CENTER	71	2057800	MOTOR-LIFT (12,24,36V)	■	2880102	CONTROL HEAD COVER LATCH KIT
18	701-043	O-RING (2 REQ'D)	72	2058410	TENSIONER-BELT (VANTAGE)			INCL. 89,90,91,119
19	144-017	BEARING -FLANGE (SERVICE ONLY)	73	831-070	SCREW - TORXW/SPLTWASH[3.EA]	119	2050200	COVER-CONTROL HEAD
20	2-300-160	BRUSH END HOUSING ASSEMBLY	74	2053413	SCREW-10-16X1" TYPE AB,HEX[4.EA]	120	2053415	SCREW-#8-32 X 3/8" TRI-LOBE[3.EA]
21	880-025	SEAL [2.EA]	■	2882201	CLUSTER GEAR / FLANGE PULLEY KIT	121	2012100	SCREW-8-18 X 5/8" THD CUT[3.EA]
22	701-009	O-RING -THRU BOLT [2.EA]			INCL. 75,76,77	122	2050210	SHROUD-CONTROL HEAD
23	830-098	THRU BOLT 12-24 X 11.56" SS [2.EA]	*75	2770428	PULLEY/PINION GEAR ASSEMBLY	123	2055612	DECAL-SHROUD (VANTAGE)[2.EA]
24	2317060	MOTOR ASSEMBLY, 4", 36V (ITEMS 1-27)	*76	2058405	FLANGE-PULLEY (VANTAGE)	124	2055602	DECAL-COVER, 36V
25	979-015	STRAIN RELIEF - BODY	*77	2053418	SCREW 4-40 X 1/4 PPH[2.EA]	125	2055610	DECAL-COVER, LED
26	979-016	CAP - STRAIN RELIEF	78	2050800	BELT-DRIVE (VANTAGE)	126	2051712	WASHER- .152 ID, .50 OD, .08
27	389-015	GROMMET- STRAIN RELIEF	79	2051705	WASHER-NYLON ID.312 X OD.	127	2302100	SCREW-6-20 X 1/2" THD CUT
28	2331130	PROPELLER (W.WEDGE) MAX 101	79A	2051703	WASHER-THRUST ID.315, OD.562	128	2012100	SCREW-8-18 X 5/8" THD CUT(4REQ'D)
29	2093101	NUT-PROP NYLOC (LARGE) MAX 101	■	2882200	GEAR LIFT/PIN KIT INCL.80,62	129	2050100	KNOB-POINTER, VANTAGE
30	2091701	WASHER-PROP (LARGE) MAX 101	*80	2990426	LIFT GEAR ASSEMBLY	130	2051717	WASHER- #8 SAE FLAT ZNK PLT
31	2772010	TUBE-MOTOR, 1 3/4" KIT W/TEMPLATE	81	2052820	PIN-DRIV-LOK 1/8 X 5/8"	131	2332101	SCREW-8-32 X 1/2" SS
32	2991822	TRANSOM BRACKET ASSEMBLY 36V	82	2056515	CAP-LOWER, GEAR HOUSING	132	2371715	LOCKWASHER-STAR #8 ZINC
33	2056505	HOUSING EXTRUSION	83	2383500	BOLT-3/8-16 X 1.25	133	2056700	PLUG, POINTER, VANTAGE
34	2053511	BOLT-CARRIAGE 5/16-18 1*[4.EA]	84	2053402	SCREW-10-24 X 1" TRI-LOBE [3.EA]	134	2050220	SHIELD-EXTRUSION, VANTAGE
35	2151726	WASHER-5/16 STD (S/S)[4.EA]	85	2054600	O-RING, GEAR HOUSING	135	2053414	SCREW-#8-32 X 1/2" TRI-LOBE[2.EA]
36	2053103	NUT, 5/16-18 NYLOC [4.EA]	86	2056510	CAP-UPPER, GEAR HOUSING	136	2055611	DECAL-SHIELD (VANTAGE)[3.EA]
37	2770420	LOWER SUPPORT CAGE ASSEMBLY	87	2057200	LATCH (VANTAGE)	137	299820	CIRCUIT BRKR ASSEMBLY 36V [2.EA]
38	2057302	BEARING-UPPER, LIFT SCREW	88	2052711	SPRING, LATCH RETURN	139	2774840	TRANSOM EXTRUSION KIT INCL.139,140
■	2881510	YOKE/BEARING RACE KIT INCL.39,40,42	89	2050102	KNOB-LATCH (VANTAGE)	*140	2053419	BOLT 14-1/4X1
*39	2051510	YOKE-LIFT SCREW	90	2353401	SCREW-10-16 X 1/2 STALGD	*141	2050921	HANDLE TENSION- LONG
*40	2056200	BEARING RACE-YOKE	91	2051716	WASHER-FENDER #10	■	2880910	HANDLE L/R KIT
41	2053401	SCREW-10 X 1/2,TYPE 25,[2.EA]	92	2151730	WASHER-CUP (HINGE BRACKET)			INCL. 101,102,142,143,149
42	2353401	SCREW-10-16 X 1/2 STALGD	93	9950158	WASHER-3/8 FLAT (ZINC)	*142	2050915	HANDLE SIDE L
43	2053400	SCREW-LIFT, 1/2-10 ACME	94	2053107	NUT-3/8-16, TOPLOCK	*143	2050910	HANDLE SIDE R
44	2052707	SPRING-COIL,SOFT STOP	96	2990920	HANDLE ASSEMBLY, VANTAGE	■	2880925	HANDLE/CLAMP SCREW KIT
45	2770429	COIL SPRING/WASHER ASSEMBLY KIT	■	2884006	HANDLE CTRL BOARD/GRIP KIT INCL. 97,149			INCL. 144,145,146,147,148
46	2053413	SCREW-10-16X1" TYPE AB,HEX(4REQ'D)	*97	2994005	CTRL BOARD ASSEMBLY-HANDLE	*144	2051300	SCREW- CLAMP 5/8
■	2883200	WIRE CLAMP KIT INCL. 47,48,49	98	2055115	BUTTON SWITCH ACTUATOR	*145	2050925	HANDLE- SCREW
*47	2053200	WIRE CLAMP, LEFTHAND	■	2883700	PLUNGER/GRIP KIT INCL. 99,149	*146	2052625	PIN- HANDLE
*48	2053205	WIRE CLAMP, RIGHTHAND	*99	2053700	PLUNGER, ON/OFF	*147	2011710	WASHER- CLAMP SCREW
*49	2053417	SCREW-10-16X3/4 TYPE BT,PPH	100	2050101	KNOB-SPEED CONTROL	*148	2263402	SCREW- SHC 20-1/4
50	2770400	TAPE SPRING ASSEMBLY INCL. 51-55	101	2012100	SCREW-8-18 X 5/8" THD CUT[2.EA]	149	2880423	GRIP KIT
51	2052705	SPRING, CONSTANT FORCE	102	2053412	SCREW 8 X 1.5"TYPE 25 PPH[2.EA]	*150	2053105	NUT- HEX
52	2052610	PIN-PIVOT 7/16" O.D.	■	2880921	HANDLE TENSION KNOB KIT	151	2881500	TUBE/SLEEVE/BUSHING KIT
53	2051920	BRACKET-SPRING			INCL. 103,104,105,141			

* THIS ITEM IS PART OF AN ASSEMBLY AND CAN NOT BE SOLD SEPARATELY

Vantage Series Wiring Diagrams

V101
36-volt



Note:

Do NOT use the crank battery as one of the three supply batteries. Using the crank battery as one of the supply batteries will cause corrosion damage to the trolling motor, and VOID the Warranty!