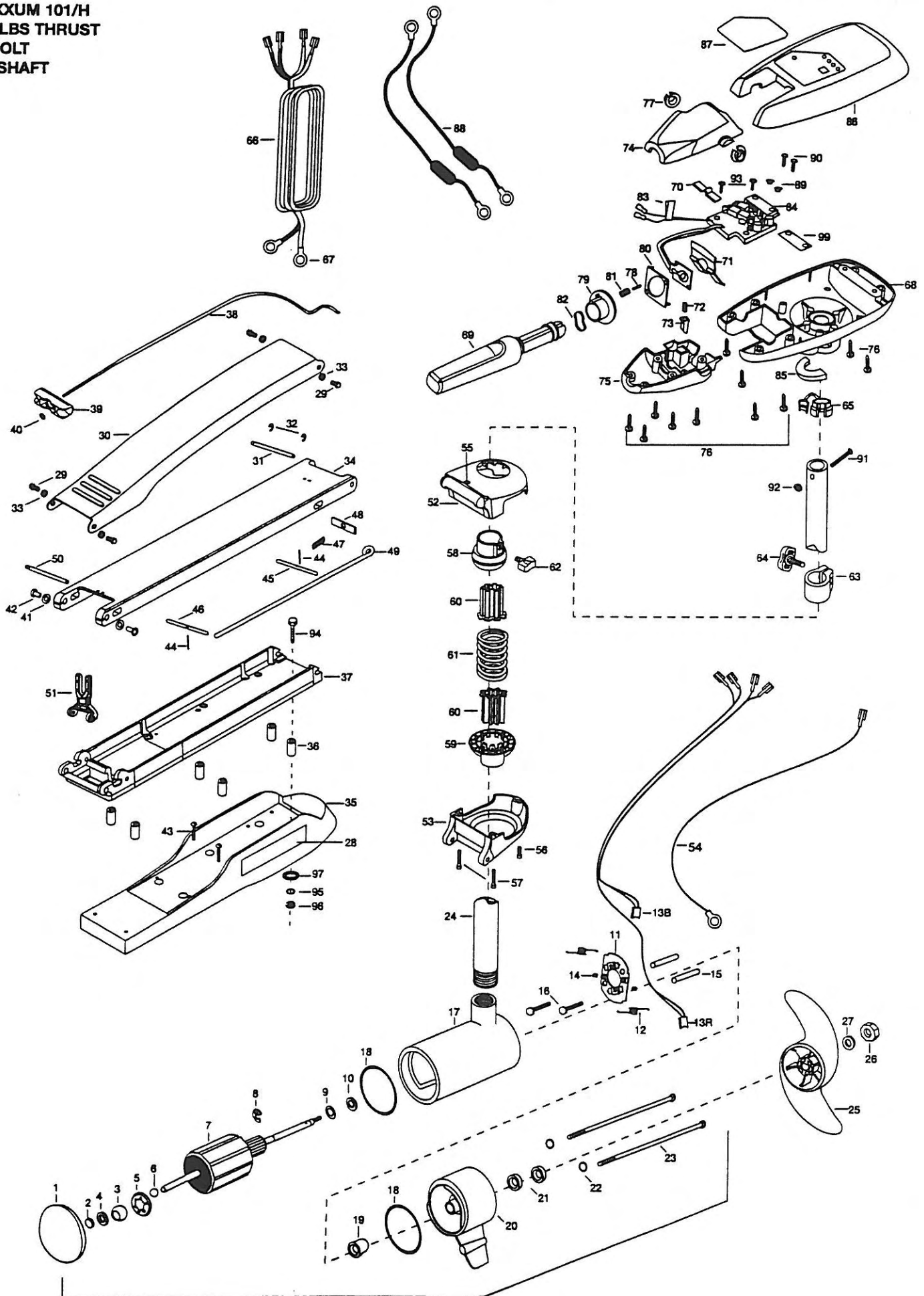


MAXXUM 101/H
101 LBS THRUST
36 VOLT
52" SHAFT

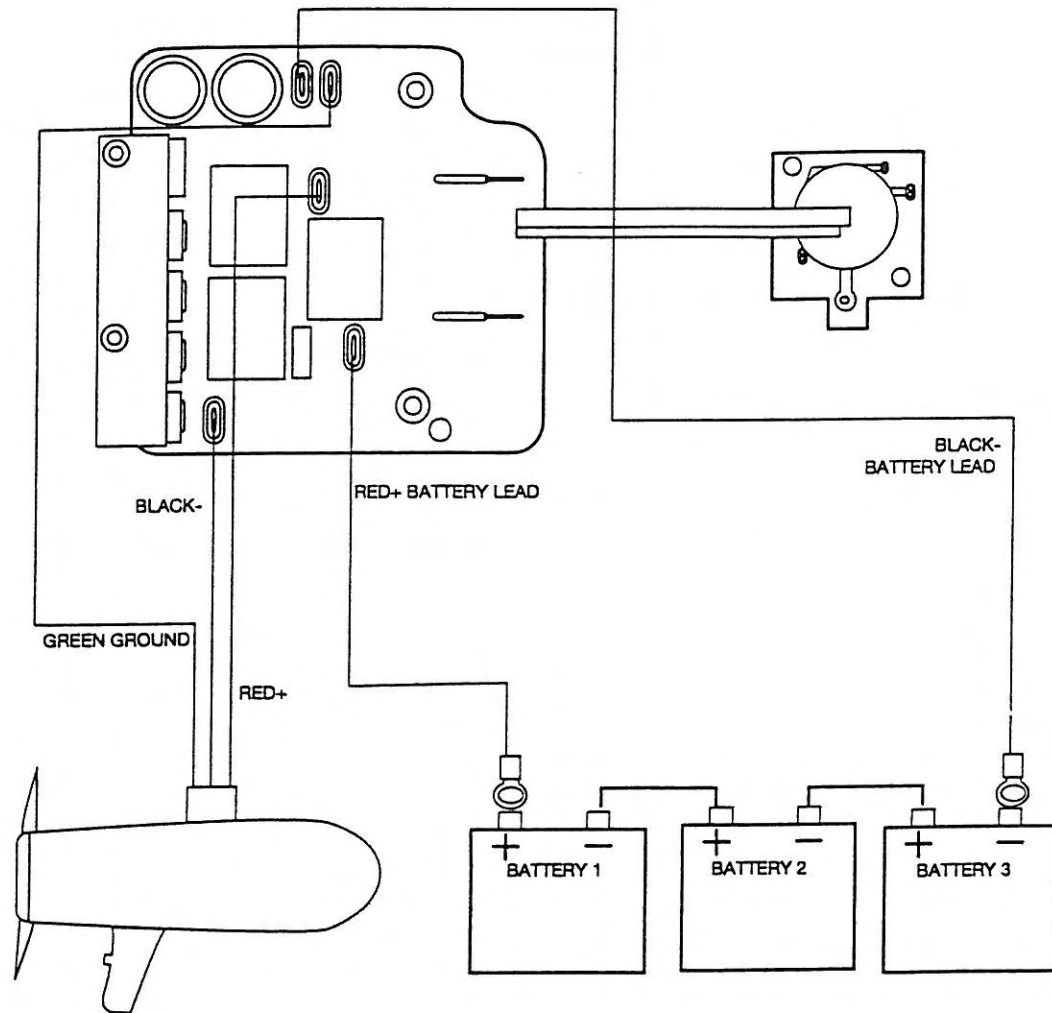


1	2-400-160	PLAIN END HOUSING ASSEMBLY	33	2293501	BUSHING, STAINLESS STEEL [4.EA]	66	2090600	LEADWIRE (10 GA) RINGS
2	303-043	THRUST DISC - METAL	34	2994307	ARM - LOWER ASSEMBLY STD, FW, EXT INCL. 38-40, 44-49	67	2020700	TERMINAL RING, 3/8" [2.EA]
3	144-021	BEARING - SPHERICAL	35	2263912	MOTOR REST (STD) FW	68	2062585	CONTROL BOX, FW, .725 BORE
4	991-040	WASHER FELT	36	2261505	SPACER, MOTOR REST [6.EA]	69	2990914	HANDLE ASSEMBLY W/O U-JOINT
5	784-025	BEARING RETAINER	37	2251967	BOWPLATE, STD FW-MACH	70	2302742	SPRING - DETENT (OFF)
6	116-025	BALL - STEEL	38	2251601	ROPE (40"), MAXXUM MOUNT	71	2302743	SPRING - DETENT, HANDLE - TILT
7	2-100-110	ARMATURE ASSEMBLY	39	2150400	PULL - GRIP	72	2302745	SPRING - RELEASE BUTTON
8	788-040	RETAINING RING	40	2151700	WASHER - EYE SHAFT (.562 OD)	73	2303720	RELEASE BUTTON - HANDLE
9	990-051	WASHER - THRUST, STEEL	41	2261707	WASHER - 3/8" X 1/2" X .016" (S/S) [2.EA]	74	2060409	HANDLE (TOP HALF) MAXIMIZE
10	990-052	WASHER - NYLATRON	42	2236000	BEARING NYLINER [2.EA]	75	2060415	HANDLE (LOWER HALF)
11	738-004	BRUSH PLATE - 4" TERMINAL	43	2263434	SCREW, 8 - 18" X 1" PPH S/S [2.EA]	76	2303412	SCREW - 6 - 20" X 5/8" SELF TAP [11.EA]
12	975-041	SPRING - TORSION [2.EA]	44	2152610	SPRING - PIN (LOCKBAR) [2.EA]	77	2060005	BEARING - HANDLE PIVOT [2.EA]
13R	188-094	BRUSH RED LEADWIRE 640-121	45	2233600	LOCK BAR - (BOW MOUNT)	78	2302600	PIN - ACTUATOR
13B		BRUSH BLK LEADWIRE 640-017	46	2233602	LOCK BAR, REAR - ZINC	79	2302850	ACTUATOR - CAM
14	830-028	SCREW 10 - 32" X .164"	47	2152700	SPRING - (LOCKBAR) CAD.PLTD	80	2302851	ACTUATOR - FWD/REV
15	973-025	SPACER - BRUSH PLATE [2.EA]	48	2262703	SPRING STOP MAXXUM	81	2302740	SPRING - (ACTUATOR)
16	830-027	SCREW - SELF-TRDED 10 - 32" X 2" [2.EA]	49	2153602	EYE SHAFT - 2 LOCKBAR STD SS	82	2302741	SPRING - CAM (ZNC PLTD STEEL)
17	431-110	HOUSING ASSEMBLY - CENTER	50	2260506	HINGE - PIN (HEADLESS) ZINC	83	2305810	TAG - AIR SWITCH LEADS
18	701-043	O-RING [2.EA]	51	2293811	YOKE, MAX MNT - POLYPROPYLENE	84	2264013	CTRL BOARD ASSEMBLY - RT 101/H
19	144-017	BEARING - FLANGE (SERVICE ONLY)	52	2994833	BAG ASSEMBLY MAX STABILIZER KIT	85	2061512	COLLAR - CTRL BOX (FRS-WTR)
20	2-300-160	BRUSH END HOUSING ASSEMBLY	53	2771990	BOWGUARD ASSEMBLY - HAND CTRL	86	2990294	CTRL BOX CVR/DECAL ASSEMBLY
21	880-025	SEAL [2.EA]	54	630-077	BRACKET BASE TOP/INSERT ASSEMBLY	87	2265622	DECAL - COVER, MAX101/H
22	701-009	O-RING - THRU BOLT [2.EA]	55	2232351	BRACKET BOTTOM/BEARING ASSEMBLY	88	2998200	CIRCUIT BREAKER ASSEMBLY 36V-101 [2.EA]
23	830-096	THRU BOLT 12 - 24" X 11.56" SS [2.EA]	56	2263402	GREEN GROUND WIRE	89	2301710	WASHER - INSUL. (TRANSF.BAR) [2.EA]
	■ 2317051	MTR ASSEMBLY 36V 4" VARS [INCL.1-23]	57	2263404	EYELET - ROPE	90	2372100	SCREW - 8 - 18" X 5/8" THD [2.EA]
24	2032081	TUBE - CARBON COMPOSITE 52"	58	2261525	SCREW - 1/4 - 20" X 3/4" (ZINC)	91	2383407	SCREW - 10 - 24" X 2"
	■ 1378130	PROPELLER KIT INCL. 25-27	59	2261535	SCREW - 1/4 - 20" X 2 1/4" SCHP SS [2.EA]	92	2383124	NUT - 10 - 24" NYLOCK ZINC PLT
25	2331130	PROPELLER - W/WEDGE	60	2264702	SPRING - SLEEVE, UPPER	93	2301310	SCREW - 8 - 18" X 1/2" [2.EA]
26	2093101	NUT - PROP, NYLOC (LARGE) MAX101	61	2262704	SPRING - SLEEVE, LOWER	■ 2994830		BAG ASSEMBLY - MAXXUM
27	2091701	WASHER - PROP (LARGE) MAX 101	62	2011365	INSERT - TUBE (2 PER) B.MNT [2.EA]	*94	2263431	SCREW 1/4 - 20" X 3.5" PPH [6.EA]
28	2265515	DECAL - MAX MOTOR REST [2.EA]	63	2031520	SPRING, BOWGUARD, HAND CT	*95	2261713	WASHER - 1/4" FLAT S/S [6.EA]
	■ 2771866	MOUNT, BOW ASSEMBLY FW STD	64	2011365	SCREW - COLLAR/NEW KNOB	*96	2263103	NUT - 1/4 - 20" NYLOCK - JAM S/S [6.EA]
29	2263500	BOLT, SHOULDER (MAXXUM) [4.EA]	65	2052900	COLLAR - DEPTH (W/O INSERT)	*97	2301720	WASHER - MOUNTING RUBBER [6.EA]
30	2264206	ARM - UPPER FW, STD			SCREW - COLLAR/NEW KNOB			
31	2260513	HINGE PIN MAX/AT			STRAIN RELIEF - C.CORD/SP.C			
32	2263010	E-RING 3/8" DIA SHAFT [2.EA]						

* This item is part of an assembly. This item cannot be sold separately due to machining and /or assembly that is required.

Maxxum Bowmount Series Wiring Diagrams

Max 101/H
36-volt



Note:

If you experience depth finder interference, attach the green motor ground wire to the control board ground as shown.

Do NOT use the crank battery as one of the three supply batteries! Using the crank battery as one of the supply batteries will cause corrosion damage to the trolling motor, and **VOID the Warranty!**