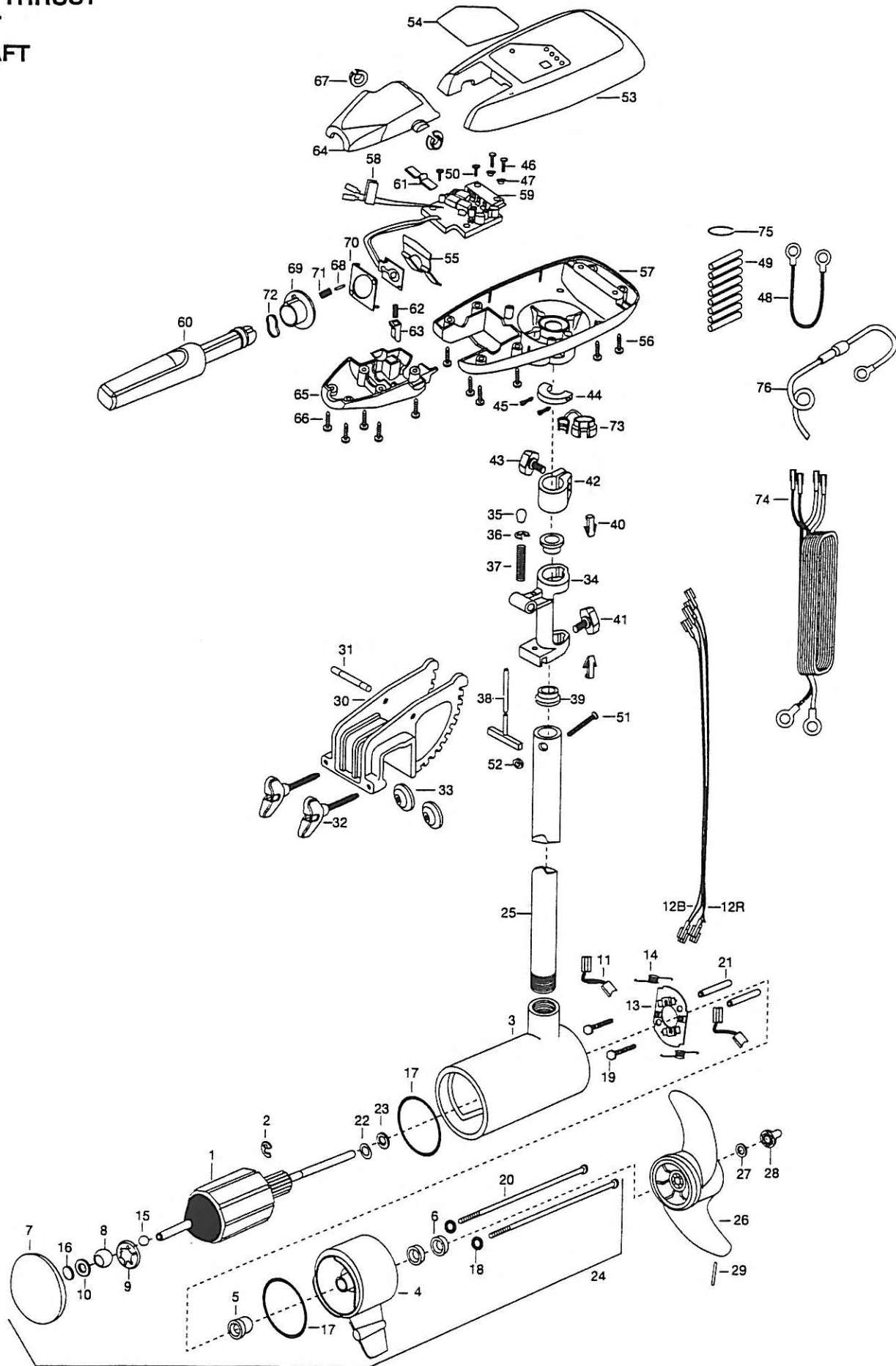


RT74/S/W
74 LBS. THRUST
24 VOLT
42" SHAFT



1	2-100-103	ARMATURE ASSEMBLY 24V 4.0 74#	38	2033601	T-BAR E-COAT
2	788-040	RETAINING RING	39	2037301	BUSHING-HINGE [2.EA]
3	2-200-397	CENTER-HOUSING ASSEMBLY 4.0 SW WHITE	40	2062800	TENSION BLOCK-"SNAP IN" [2.EA]
4	2-300-340	BRUSH END HOUSING ASSEMBLY SW	41	2011386	SCREW-TENSION/NEW KNOB
5	144-017	BEARING-FLANGE	42	2061520	COLLAR-DEPTH
6	880-025	SEAL [2.EA]	43	2011366	SCREW-COLLAR/NEW KNOB SS
7	2-400-341	PLAIN END HOUSING ASSEMBLY 4.0 SW	44	2061517	COLLAR-CTRL BOX
8	144-021	BEARING-SPHERICAL	45	2223430	SCREW #8 X 3/4 PPH TYPE 25 SS [2.EA]
9	784-025	BEARING RETAINER	46	2301310	SCREW-8-18 X 1/2 SS [2.EA]
10	991-040	WASHER-FELT	47	2301710	WASHER-INSUL. (TRANSF. BAR) [2.EA]
11	188-094	BRUSH 4" W/TERMINAL [2.EA]	48	2340610	CONNECTOR CABLE-12"
12B	640-015	LEADWIRE BLACK 10 AWG 55	49	2305400	SHRINK TUBE-3/8 OD [8.EA]
12R	640-119	LEADWIRE RED 10 AWG 56-1/2	50	2372100	SCREW-#8-18 X 5/8 THD [2.EA]
13	738-004	BRUSH PLATE-4" TERMINAL	51	2263406	SCREW-#10-24 X 2 SS PPH
14	975-041	SPRING-TORSION [2.EA]	52	2333101	NUT-HEX #10-24 NYL SS UNC 2B
15	116-025	BALL-STEEL	53	2300219	COVER-CONTROL BOX RIPIDE WHITE
16	303-043	THRUST DISC-METAL	54	2095617	DECAL-COVER (RT74/S)
17	701-043	O-RING THRU BOLT [2.EA]	55	2302743	SPRING-DETENT HANDLE-TILT
18	701-009	O-RING [2.EA]	56	2303412	SCREW-6-20 X 5/8 SELF TAP [6.EA]
19	830-027	SCREW-SELF-THREAD 10-32 X 2 [2.EA]	57	2062597	CONTROL BOX, SW, WHITE .875 BORE
20	830-094	THRU BOLT 12-24 X 10.31 [2.EA]	58	2305810	TAG-AIR SWITCH LEADS
21	973-025	SPACER-BRUSHPLATE [2.EA]	59	2344007	CONTROL BOARD ASSEMBLY SW
22	990-051	WASHER-STEEL THRUST	60	2990915	HANDLE ASSEMBLY W/O U-JOINT
23	990-052	WASHER-NYLATRON	61	2302742	SPRING-DETENT (OFF) SS
24	2317042	MTR ASSEMBLY 24V 4 VARS SW 74/W	62	2302745	SPRING-RELEASE BUTTON SS
25	2032032	TUBE (COMPOSITE) 42" WHITE	63	2303720	RELEASE BUTTON-HANDLE
■	1378129	PROPELLER KIT	64	2060411	HANDLE (TOP HALF) MAXIMIZER
*26	2331120	PROPELER-WEEDLESS WEDGE	65	2060415	HANDLE (LOWER HALF)
*27	2091701	WASHER-PROP (LARGE)	66	2303412	SCREW-6-20 X 5/8 SELF TAP [5.EA]
*28	2198401	ANODE-ZINC 4.0 LWR UNIT	67	2060005	BEARING-HANDLE PIVOT
*29	2092600	PIN-DRIVE SS	68	2302600	PIN-ACTUATOR
■	2991830	BRACKET & HINGE ASSEMBLY SW WHITE	69	2302850	ACTUATOR-CAM
30	2031933	BRACKET-DIE CAST SW WHITE 10P	70	2302851	ACTUATOR-FWD/REV
31	2010512	PIN-DRIVE LOK 3/8 X 2-1/2 SS	71	2302740	SPRING-(ACTUATOR)
32	2061301	SCREW-CLAMP/ENDURA SS [2.EA]	72	2302741	SPRING-CAM ZNC PLTD STEEL
33	2331700	WASHER-CLAMP SCREW 1.5 OD [2.EA]	73	2332900	STRAIN RELIEF-C. CORD/C.
34	2031856	HINGE-MACH. RT WHITE SS	74	2330600	LEADWIRE (10 GA-4) RINGS
35	2010100	KNOB-TILT	75	2303001	RING-PIG LOXIT HILL #2
36	2333001	E-RING-SS	76	2060310	CONNECT GROUND WIRE-FUSED
37	2332700	SPRING-T-BAR			

* This item is part of an assembly. This item cannot be sold separately due to machining and /or assembly that is required.

