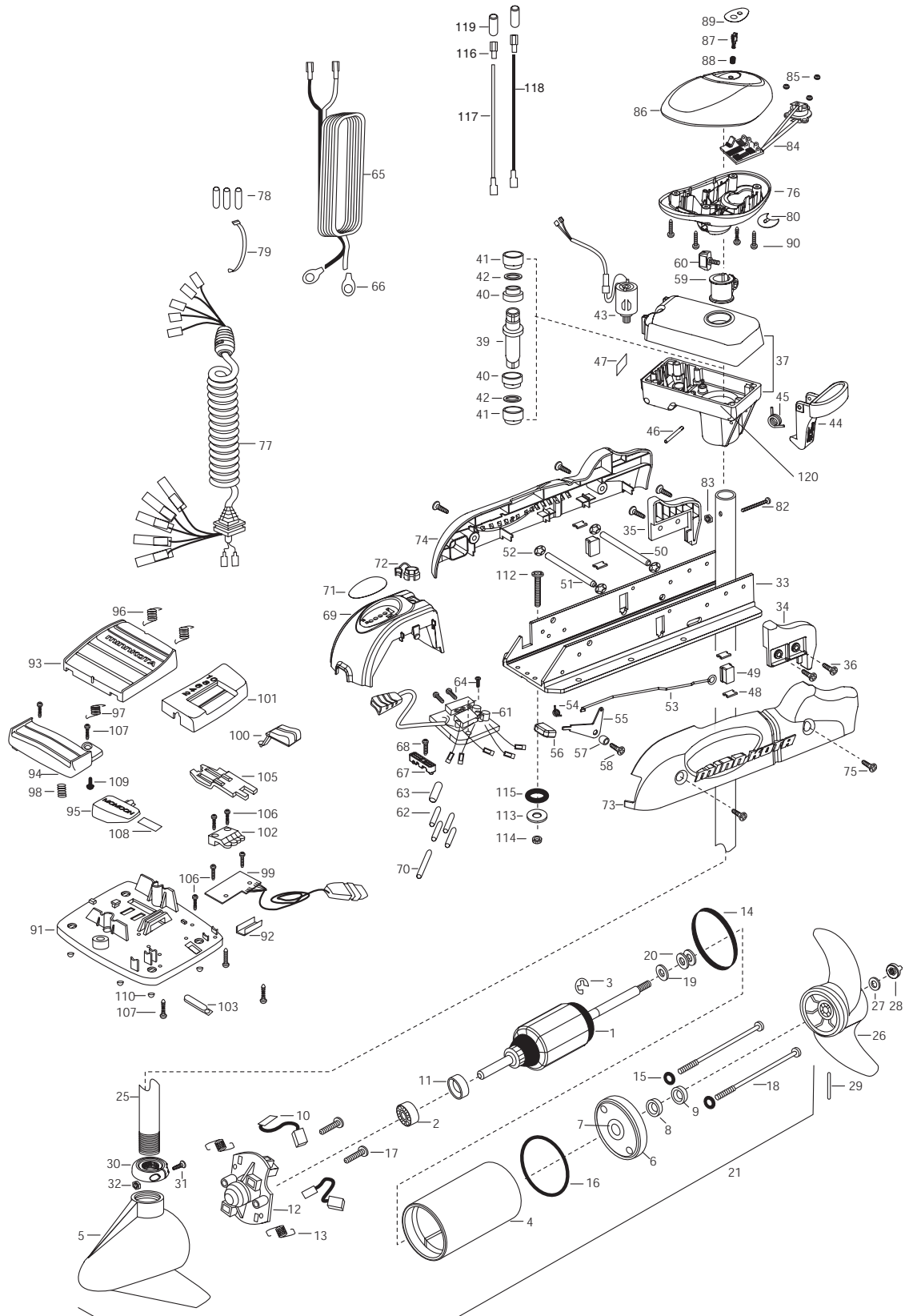


RT55/AP
55 LBS THRUST
12 VOLT 45 AMPS
48" OR 54" SHAFT

for use with motors with serial numbers beginning MKAE
3-year warranty from the date of purchase



1	92-100-013	ARMATURE ASSEMBLY	*42	2304603	O-RING [2.EA]	82	2332102	SCREW-10-24 X 1-3/4
2	140-010	BALL BEARING	43	2307045	MOTOR- DRIVE HOUSING HIGH SPD	83	2333101	NUT-HEX 10-24 NYLOC
3	788-015	RETAINING RING	44	2307215	LATCH HANDLE PD/AP	84	2994023	CNTRL BRD/CMPSS ASSMBLY
4	2-200-301	HOUSING ASSEMBLY CENTER 3.62 W/MA	45	2302750	SPRING- LATCH TORSION PD/AP	85	2302960	GROMMET-COMPASS [3.EA]
5	421-336	HOUSING BRUSH END 3.62 WHITE	46	2302626	PIN- ROLL 3/16X2 SS	86	2300243	CONTROL BOX COVER- RIPTIDE WHITE
6	2-400-337	PLAIN END HOUSING ASSEMBLY 3.625	47	2305514	DECAL-STOW/DEPLOY PD/AP*2001	87	2304082	ACTUATOR- SWITCH ON/OFF A/P
7	144-049	BEARING - FLANGE (SERVICE ONLY)	48	2335110	PAD-PIVOT SUPT SS [4.EA]	88	2302752	SPRING- ACTUATOR PD/AP SS
8	880-003	**SEAL	49	2305101	PIVOT PAD [2.EA]	89	2305669	DECAL- COVER ON/OFF 55PD/AP
9	880-006	**SEAL WITH SHIELD	50	2330510	PIN-LATCH PD BASE SS	90	2372100	SCREW-8-18 X 5/8 SS [4.EA]
10	188-036	BRUSH ASSEMBLY [2.EA]	51	2330520	PIN-PIVOT PD BASE SS	■	2774700	FOOT PEDAL ASSEMBLY
11	725-050	BRUSH RETENTION- PAPER TUBE	52	2333100	NUT-SPEED SS [4.EA]	91	2304511	FOOT PEDAL BASE
12	738-036	BRUSH PLATE W/HOLDER	53	2303612	ROD-RELEASE RT/AP SS	92	2308500	WEAR PLATE FOOT PDL
13	975-040	SPRING - TORSION [2.EA]	54	2302700	SPRING-RELEASE LEVER	93	2304516	FOOT PEDAL-UPPER
14	337-036	**GASKET	55	2333705	LEVER-RELEASE SS	94	2304520	FOOT PEDAL-LOWER
15	701-008	**O-RING, THRU-BOLT [2.EA]	56	2300101	RELEASE-KNOB	95	2307210	LEVER MOM/CON-
16	701-081	**O-RING	57	2301700	SPACER-RELEASE LEVER	96	2302730	SPRING-LONG-UPPER PEDAL [2.EA]
17	830-007	SCREW-8-32 [2.EA]	58	2332104	SCREW-1/4-20 X 5/8 SS	97	2302731	SPRING-SHORT-UPPER PEDAL
18	830-042	THRU-BOLT 10-32X8.83 [2.EA]	59	2031522	COLLAR- DRIVE (W/INSERT)	98	2302732	SPRING-LOWER PEDAL
19	990-067	WASHER- STEEL THRUST	60	2011366	SCREW-COLLAR/NEW KNOB SS	99	2304012	CONTROL BOARD ASSEMBLY-FT PDL
20	990-070	WASHER - NYLATRON [2.EA]	61	2304041	CONTROL BOARD ASSEMBLY- 12V PD/AP	100	2300120	KNOB-SPEED SELECTOR
21	2099095	MOTOR ASSMBLY 12V 3.62 VARS SW WHT	62	2305400	SHRINK TUBE-3/8 [4EA.]	101	2300121	HOUSING SPEED SELECTOR
25	2032021	TUBE-COMPOSITE 48" AP/WHITE	63	2375400	SHRINK TUBE- 1/4ODX1-3/4	102	2302840	ACTUATOR-BOARD
	2032022	TUBE-COMPOSITE 54" AP/WHITE	64	2332100	SCREW-8-32 X 3/8 [3.EA]	103	2302841	ACTUATOR-MOM/CON
■	1378122	PROPELLER KIT (prop, washer, nut, & pin)	65	2090601	LEADWIRE IOGA 44"	105	2302842	ACTUATOR-STEERING
26	2091150	PROPELLER W/WEDGE	66	2020700	TERMINAL RING [2.EA]	106	2302100	SCREW-6-20 X 1/2 [5.EA]
27	2151726	WASHER-5/16 SS	67	2222906	STRAIN RELIEF- BRACKET PD/AP	107	2372100	SCREW-8-18 X 5/8 [5.EA]
28	2198400	ANODE- ZINC 3.25/3.625 LWR U	68	2332104	SCREW-1/4-20 X 5/8 SS	108	2266610	DECAL-ON/OFF SWITCH
29	2092600	PIN-DRIVE	69	2306556	HOUSING- CENTER PD/AP WHITE	109	2335130	BUMPER ACTUATOR
30	2301555	COLLAR- LATCH PD/AP	70	2355410	SHRINK TUBE-3/8X2	110	2994807	BAG ASSEMBLY- 4 RUBBER BUMPERS
31	2303434	SCREW- 8-32X5/8 MACH PHCR	71	2306612	DECAL- BATT GAUGE H RT AP	■	2994812	BAG ASSEMBLY- (BOLT,NUT,WASHERS)
32	2303112	NUT 8-32 NYLOC SS	72	2302935	STRAIN RELIEF-DR. HOUSING	*112	2333500	BOLT-MOUNTING-SS [6.EA]
33	2301933	EXTRUSION- BASE ANODIZED	73	2303944	SIDEPLATE (RIGHT) WHITE	*113	2151726	WASHER-5/16 SS [6.EA]
34	2303932	MOTOR REST- RIGHT LARGE	74	2303949	SIDEPLATE(LEFT) WHITE	*114	2383106	NUT-5/16-18 MOUNTING SS[6.EA]
35	2303937	MOTOR REST- LEFT LARGE	75	2332104	SCREW-1/4-20 X 5/8 SS	*115	2301720	WASHER-MOUNTING RUBBER [6.EA]
36	2332104	SCREW 1/4-20X5/8 SELF TAP SS [4.EA]	76	2302516	CONTROL BOX PD/AP WHITE	116	2030710	BUTT CONNECTOR
37	2301847	DRIVE HOUSING AP SW WHITE	77	2991260	COIL CORD WSTRAIN RELIEF 48"	117	2030317	WIRE EXTENSION 18" RED
■	2882011	BUSHING/ OUTSHAFT KIT (INCLUDES 39-42)		2991261	COIL CORD WSTRAIN RELIEF 54"	118	2030316	WIRE EXTENSION 18" BLACK
*39	2302010	DRIVE HOUSING OUTPUT SHAFT	78	2065400	WIRE INSULATOR-LGE 1-3/4 [3.EA]	119	2375400	SHRINK TUBE 1/4" OD X 1 3/4" [2 EA.]
*40	2307304	BUSHING- INNER [2.EA]	79	9950433	TIE WRAP-4" BLACK	120	2304604	O-RING CASE SEAL
*41	2307305	BUSHING- OUTER [2.EA]	80	2224701	INSERT- PLUG WHITE			

**Seal & Oring Kit P/N 2888460

* This item is part of an assembly. This item cannot be sold separately due to machining and /or assembly that is required.

P/N 2304999 REVA 7-02

