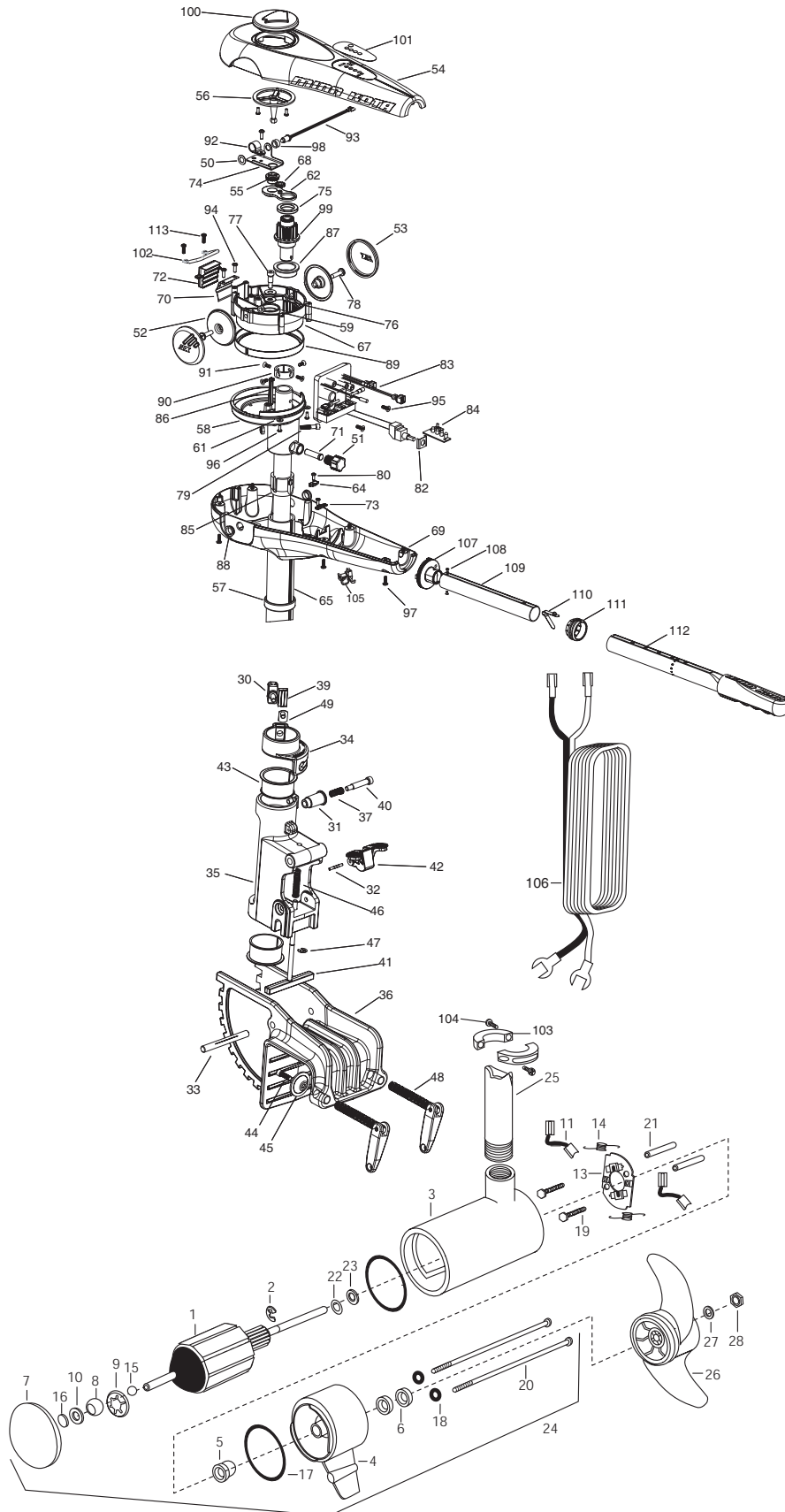


**RT101/S- 3X STEERING
SUPER DUTY BRACKET
101 LBS THRUST
36 VOLT 37 AMPS
42" & 52" SHAFT**

for use with motors with serial numbers beginning MKAE
3-year warranty from the date of purchase



1	2-100-110	ARMATURE ASSEMBLY 36V 4 VARS FW 101#	34	2071505	ORIENTATION COLLAR	75	2073000	RING PRELOAD
2	788-040	RETAINING RING	35	2071873	HINGE 3:1 BRACKET	76	2073100	HEX NUT - NYLOC [3 EA.]
3	2-200-310	CENTER HOUSING ASSEMBLY 4.0 FW TXT	36	2071942	BRACKET FW BLACK	77	2073400	SCREW 5/16 X 1/2 SHOULDER
4	2-300-340	BRUSH END HOUSING ASSEMBLY 4.0 FW	*37	2072700	SPRING	78	2073408	SCREW [2 EA.]
5	144-017	BEARING -FLANGE (SERVICE ONLY)	39	2072801	TENSION BLOCK	79	2073410	SCREW
6	880-025	**SEAL [2.EA]	*40	2073402	SCREW 5/16 X 1 1/4" SHOULDER	80	2073414	SCREW 6-32 PPH
7	2-400-341	PLAIN END HOUSING ASSEMBLY 4.0	41	2073604	T-BAR	82	2074000	POT CLIP
8	144-021	BEARING -SPHERICAL	42	2077202	TILT LEVER	83	2074061	CONTROL BOARD ASSEMBLY
9	784-025	BEARING RETAINER	43	2077310	BUSHING HINGE [2 EA.]	84	2074082	BATTERY METER
10	991-040	FELT WASHER	44	2263452	SCREW 1/4-20 SHCS [2 EA.]	85	2075100	TENSION SLEEVE
11	188-094	BRUSH 4"W/TERMINAL [2.EA]	45	2331700	WASHER CLAMP [2 EA.]	86	2076700	KEY - TUBE
12B	640-018	BRUSH WIRE- BLACK 10 AWG 62 1/2 (42")	46	2332700	SPRING	87	2077305	BEARING UPPER
	640-022	BRUSH WIRE-BLACK 10 AWG 72 1/2 (52")	47	2013000	E-RING [2 EA.]	88	2077316	BUSHING-PIVOT [2 EA.]
12R	640-123	BRUSH WIRE- RED 10 AWG 64 XLP (42")	48	2991301	CLAMP / HANDLE ASSEMBLY	89	2077320	BEARING - GEAR CARRIER
	640-127	BRUSH WIRE - RED 10 AWG 74 XLP (52")	49	2263101	T-NUT	90	2071560	COLLAR TUBE
13	738-004	BRUSH PLATE - 4" TERMINAL	50	2013100	SPEED NUT	91	2223468	SCREW 8-32 [4 EA.]
14	975-041	SPRING -TORSION [2.EA]	51	2070105	KNOB-TENSION	92	2263201	CLAMP WIRE HARNESS
15	116-025	BALL-STEEL	52	2070110	PIVOT KNOB [2 EA.]	93	2264015	LIGHT INDICATOR
16	303-043	THRUST DISC- METAL	53	2070118	COVER-PIVOT KNOB [2 EA.]	94	2372100	SCREW 8-18 SS [2 EA.]
17	701-043	**O-RING [2.EA]	54	2070206	COVER 3:1	95	2332101	SCREW 8-32 SS [2 EA.]
18	701-009	**O-RING -THRU BOLT (2 REQD)	55	2070801	COUPLER SOCKET	96	2303412	SCREW 6-20 [2 EA.]
19	830-027	SCREW -SELF TREADED 10-32 X 2" [2.EA]	56	2070810	COUPLER DRIVE	97	2303412	SCREW 6-20 X 5/8" [6 EA.]
20	830-096	THRU BOLT 12-24 X 11.56" SS [2.EA]	57	2071500	COLLAR SUPPORT-LOWER	98	2071525	SPACER-INDICATOR LIGHT
21	973-025	SPACER -BRUSH PLATE [2.EA]	58	2071513	YOKE-GEAR CARRIER	99	2992205	PINION - MAIN
22	990-051	WASHER-THRUST, STEEL	59	2071710	WASHER NYLATRON [2 EA.]	100	2998601	INDICATOR ASSEMBLY
23	990-052	WASHER- NYLATRON	60	2071712	WASHER SS	101	2075617	DECAL COVER RT 101
24	2317058	MOTOR ASSEMBLY 36V VARS TXT 42"	61	2071714	WASHER FLAT #6 [2 EA.]	102	2072815	BRACKET TILT STOP
	2317059	MOTOR ASSEMBLY 36V VARS TXT 52"	62	2071900	IDLER PLATE	103	2261622	COLLAR HALF [2 EA.]
25	2072016	TUBE (COMP) 42"	64	2071905	BRACKET- SENSOR SWITCH	104	2263453	SCREW 1/4-20 X1" [2 EA.]
	2072017	TUBE (COMP) 52"	65	2072060	OUTER TUBE 3:1 42"	105	2052900	STRAIN RELIEF
■	1378122	PROPELLER KIT (includes 26-28)		2072061	OUTER TUBE 3:1 52"	106	2090600	LEADWIRE
26	2331130	PROPELLER W/WEDGE	67	2072210	GEAR CARRIER	107	2990404	PIVOT HANDLE ASSEMBLY
27	2091701	WASHER-5/16 SS	68	2072215	GEAR- IDLER	108	2072102	SCREW #6 X 1/4" [2 EA.]
28	2198401	ANODE	69	2072502	CONTROL BOX	109	2070425	HANDLE TUBE
			70	2072705	SPRING DETENT	110	2070411	LATCH-BUTTON
■	2991827	BRACKET/HINGE ASSEMBLY	71	2072710	SPRING TENSION SLEEVE	111	2070010	BEARING
30	2011386	SCREW-TENSION	72	2072810	DETENT BLOCK-TILT	112	2990931	HANDLE ASSEMBLY-EXT.
31	2070100	KNOB ORIENTATION COLLAR	73	2072811	DETENT BLOCK-SWITCH	113	2332101	SCREW #8-32 X 1/2" SS [2 EA.]
32	2070512	PIN HINGE	74	2072900	RETAINER COUPLER			
33	2070514	PIN PIVOT						

****Seal & Oring Kit P/N 2889460**

* This item is part of an assembly. This item cannot be sold separately due to machining and /or assembly that is required.

P/N 2074923

REV.A 7-03

