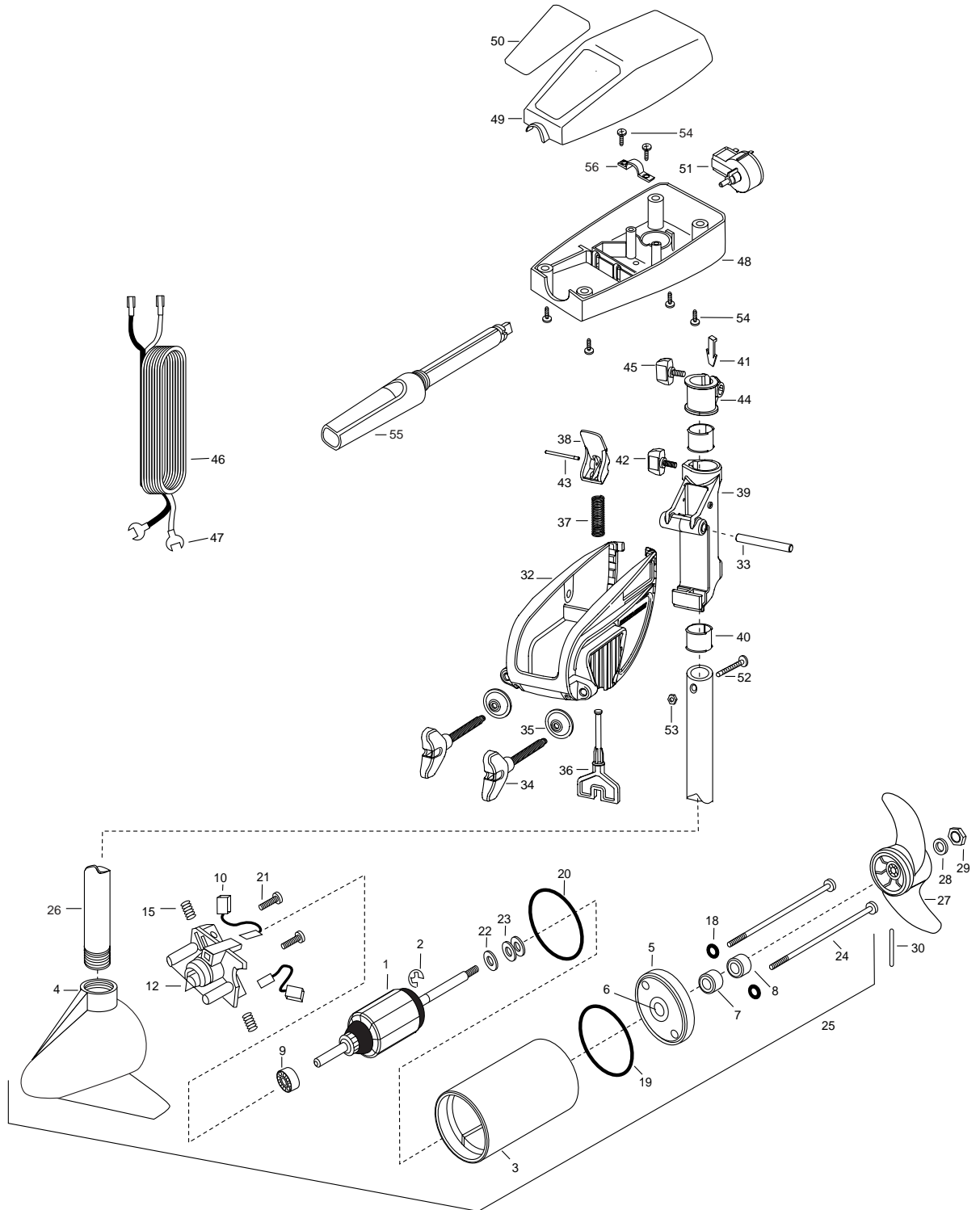


**CLASSIC 28**  
**12 VOLT 35 AMPS**  
**28 LBS THRUST**  
**30" SHAFT**

**for use with serial numbers beginning MKAE**  
**2-year warranty from date of purchase**



1	2-100-277	ARMATURE ASSEMBLY 12V 3.25	21	830-001	SCREW SELF THREAD 8-32X1.7 [2.EA]	40	2037301	BUSHING-HINGE [2.EA]	
	SK2-100-277	ARMATURE ASSEMBLY 12V 3.25		SK830-001	SCREW SELF THREAD 8-32X 1.7 [2.EA]	41	2062800	TENSION BLOCK- SNAP IN	
2	788-015	RETAINING RING	22	990-067	WASHER- STEEL	42	2011385	SCREW-TENSION/NEW KNOB	
3	2-200-177	HOUSING ASSEMBLY CENTER 3.25 TXT	23	990-070	WASHER- NYLATRON [2.EA]	43	2060515	PIN- TILT LEVER	
	SK2-200-177	HOUSING ASSEMBLY CENTER 3.25 TXT	24	830-076	THRU BOLT 8-32X8.0 [2.EA]	44	2061520	COLLAR-DEPTH ((ENDURA)	
4	421-132	HOUSING- BRUSH END		SK830-076	THRU BOLT 8-32 X 8.0 [2.EA]	45	2011365	SCREW-COLLAR/NEW KNOB	
	SK421-132	HOUSING- BRUSH END		25	2069260	MOTOR ASSEMBLY 12V 3.25 5SPC TXT	46	2020606	LEADWIRE-14GA FLAG TERM.
5	2-400-128	PLAIN END HOUSING ASSEMBLY		25A	2067060	MOTOR ASSEMBLY 12V 3.25 5SPC TXT	47	2020703	SPADE TERMINAL - 14 AWG [2EA]
	SK2-400-128	PLAIN END HOUSING ASSEMBLY	26	2032045	TUBE (COMPOSITE) 30" 7/8	48	2062542	CONTROL BOX	
6	144-049	FLANGE BEARING	■	1378121	PROP W/DRIVE PIN, WASHER, NUT KIT	49	2060255	CONTROL BOX COVER	
7	880-003	SEAL	27	2061121	PROPELLER 3.25 HUB DIA	50	2035620	DECAL-COVER 28 CLASSIC TS	
	SK880-003	SEAL	28	2151726	WASHER- 5/16 STD SS	51	2064023	SWITCH-FWD/REV 5SP	
8	880-006	SEAL W/SHIELD	29	2053101	NUT- NYLOC MED 5/16 SS	52	2033400	SCREW-10-24 X 1-3/4	
	SK880-006	SEAL W/SHIELD	30	2092600	PIN- DRIVE SS	53	2013110	NUT-10-24 HEX	
9	140-010	BEARING-BALL	■	2991815	BRACKET & HINGE ASSEMBLY BLACK KNOB	54	2012100	SCREW-8-18 X 5/8 [6.EA]	
10	188-052	BRUSH ASSEMBLY [2.EA]	■	2771910	BRACKET W/CLAMP SCREW ASSEMBLY	55	2030992	HANDLE ASSEMBLY CLASSIC 5 SPD	
12	738-030	BRUSH PLATE WITH HOLDER 3.25			(INCL.32,34,35)	56	2010030	BEARING HANDLE CAP	
	SK738-031	BRUSH PLATE WITH HOLDER 3.25	*32	2061910	BRACKET PLASTIC				
15	975-032	SPRING COMPRESSION	33	2060510	PIN-HINGE- ENDURA				
	SK975-032	SPRING COMPRESSION	*34	2061300	SCREW- CLAMP				
18	701-007	O-RING [2.EA]	*35	2011710	WASHER- CLAMP SCREW 1.5OD				
	SK701-007	O-RING [2.EA]	■	2881300	CLAMP SCREW, WASHER, RETAINER KIT				
19	701-039	O-RING MK406460	36	2063605	T-BAR PLASTIC				
	SK701-039	O-RING	37	2062706	SPRING- T-BAR ENDURA				
20	701-041	O-RING	38	2067201	LEVER- TILT BLACK ENDURA				
	SK701-041	O-RING	39	2061810	HINGE-PLASTIC				

\*When ordering replacement parts for lower motor assembly, only identify motor assembly part number- item 25 and 25A. For motor assembly 2067060, order parts with "SK" prefix.

\* This item is part of an assembly. This item cannot be sold separately due to machining and /or assembly that is required.

P/N 2034955 REV.C 12-03

