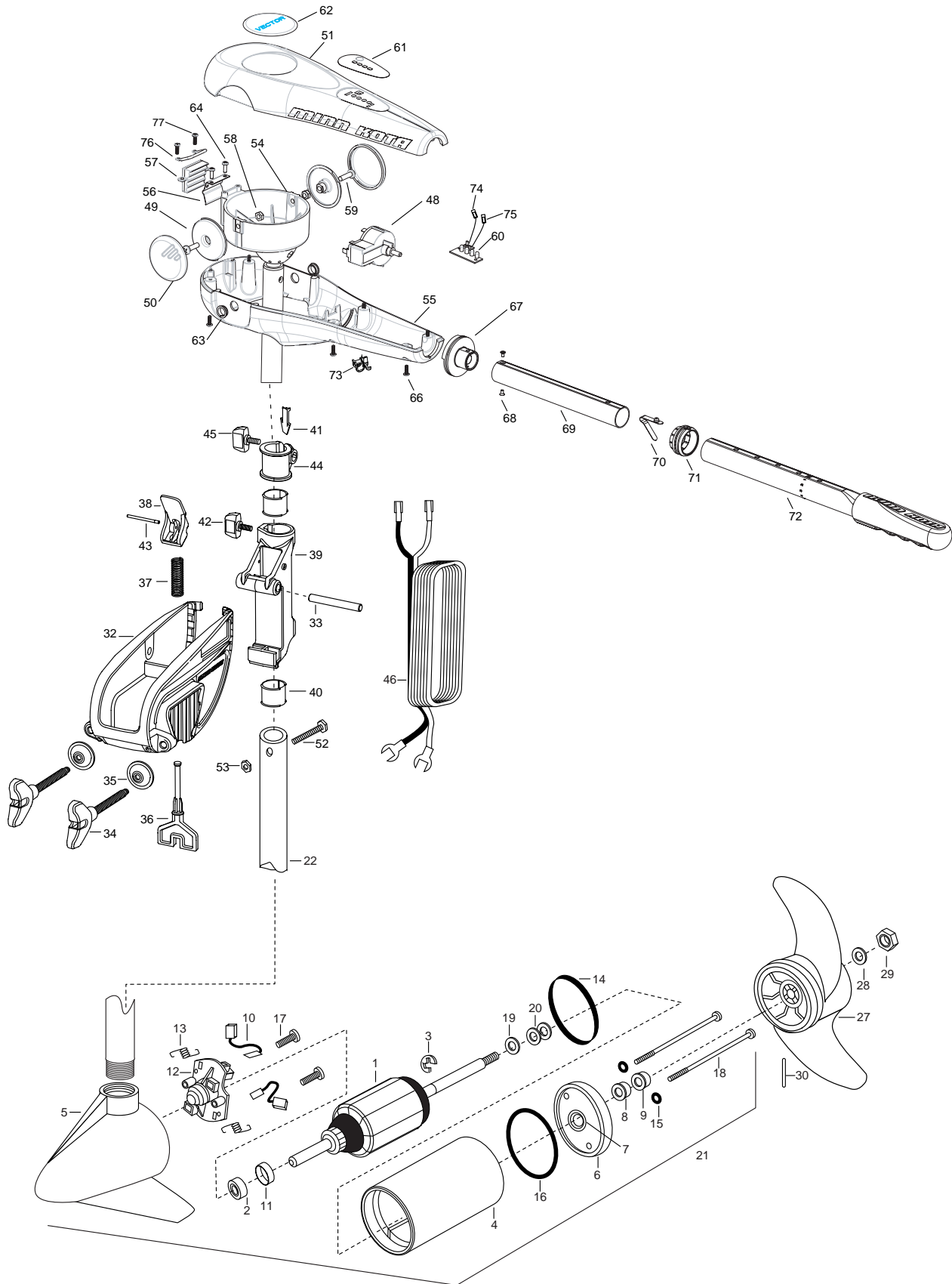


**VECTOR 55  
LEVER LOCK BRACKET  
55LBS. THRUST  
12 VOLT 45 AMPS  
36" & 42" SHAFT**

for use with motors with serial numbers beginning MKAE  
2-year warranty from the date of purchase



1	2-100-013	ARMATURE ASSEMBLY 12V 3.625 5SPC 55#	39	2061810	HINGE-PLASTIC
2	788-015	RETAINING RING	40	2037301	BUSHING-HINGE [2.EA]
3	140-010	BALL BEARING	41	2062800	TENSION BLOCK- SNAP IN
4	2-200-101	CENTER HOUSING ASSEMBLY 3.625 FW TXT	42	2011385	SCREW-TENSION/NEW KNOB
5	2-300-196	BRUSH END HOUSING ASSEMBLY 3.62 SPCO	43	2060515	PIN- TILT LEVER
6	2-400-101	PLAIN END HOUSING ASSEMBLY	44	2061520	COLLAR-DEPTH ((ENDURA)
7	144-049	BEARING - FLANGE (SERVICE ONLY)	45	2011365	SCREW-COLLAR W/NEW KNOB
8	880-003	**SEAL	46	2050609	LEADWIRE 10 GA SPADE TERM
9	880-006	**SEAL WITH SHIELD	48	2064023	SWITCH - 5 SPD.
10	188-036	BRUSH ASSEMBLY [2.EA]	49	2070110	PIVOT KNOB [2 EA.]
11	725-050	BRUSH RETENTION- PAPER TUBE	50	2070115	COVER PIVOT KNOB [2 EA.]
12	738-036	BRUSH PLATE W/HOLDER	51	2070211	CONTROL BOX COVER
13	975-040	SPRING - TORSION [2.EA]	52	2033401	SCREW 10-24 X 1-3/4"
14	337-036	**GASKET	53	2013110	NUT-HEX ZINC/CAD PLATE
15	701-008	**O-RING, THRU-BOLT [2.EA]	54	2071520	YOKE PIVOT
16	701-081	**O-RING	55	2072501	CONTROL BOX
17	830-007	SCREW-8-32 [2.EA]	56	2072705	SPRING DETENT
18	830-042	THRU-BOLT 10-32X8.83" [2.EA]	57	2072810	DETENT BLOCK, TILT
19	990-067	WASHER- STEEL THRUST	58	2073100	NUT-1/4-20 NYLOC [2 EA.]
20	990-070	WASHER - NYLATRON [2.EA]	59	2073408	SCREW 1/4-20 [2 EA.]
21	2099092	MOTOR ASSEMBLY 12V 3.62 5 SPD F/W 36"	60	2074070	BATTERY METER
	2099098	MOTOR ASSEMBLY 12V 3.62 5 SPD F/W 42"	61	2075602	DECAL-COVER 55T VECTOR
22	2032052	TUBE- COMPOSITE 36"	62	2075605	DECAL-COVER PLUG
	2032053	TUBE- COMPOSITE 42"	63	2077316	BUSHING PIVOT [2 EA.]
■	1378122	PROP KIT (includes 27-30)	64	2372100	SCREW 8-18 X 1/2" [2 EA.]
27	2091150	PROP- WEEDLESS WEDGE	66	2012100	SCREW 8-18 X 5/8" [6 EA.]
28	2151726	WASHER- 5/15 STD SS	67	2070407	PIVOT HANDLE
29	2053101	NUT-PROP NYLOC 5/16 SS	68	2072102	SCREW #6 X 1/4"
30	2092600	PIN-DRIVE SS	69	2070425	HANDLE TUBE
■	2991815	BRACKET & HINGE ASSEMBLY KNOB	70	2070411	LATCH BUTTON
■	2771910	BRACKET W/CLAMP SCREW ASSEMBLY (INCL.32,34,35)	71	2070010	BEARING-FRONT
*32	2061910	BRACKET PLASTIC	72	2990941	HANDLE ASSEMBLY-EXT.
33	2060510	PIN-HINGE- ENDURA	73	2052900	STRAIN RELIEF
*34	2061300	SCREW- CLAMP	74	2070304	WIRE BATTERY METER BLACK
*35	2011710	WASHER- CLAMP SCREW 1.50D	75	2070305	WIRE BATTERY METER RED
■	2881300	CLAMP SCREW, WASHER, RETAINER KIT	76	2072815	BRACKET- TILT STOP
36	2063605	T-BAR PLASTIC	77	2332101	SCREW #8-32 x 1/2" SS [2 EA.]
37	2062706	SPRING- T-BAR ENDURA			
38	2067201	LEVER- TILT BLACK			

**\*\*Seal & Oring Kit P/N 2888460**

\* This item is part of an assembly. This item cannot be sold separately due to machining and /or assembly that is required.

P/N 2074942 REV. A 7-03

12 Volt system

